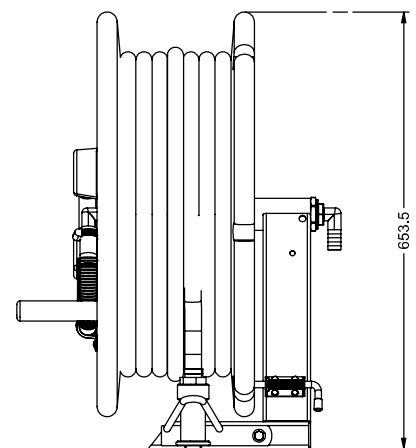
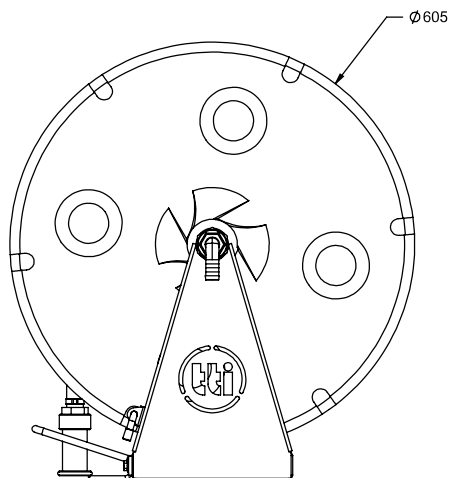
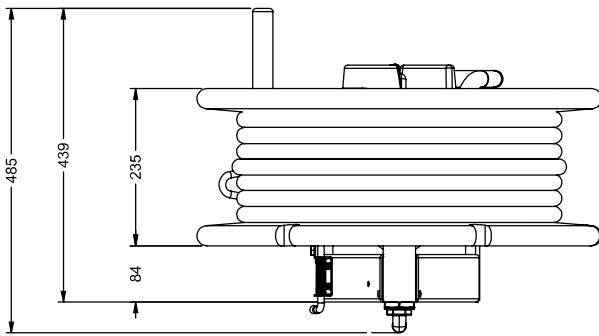
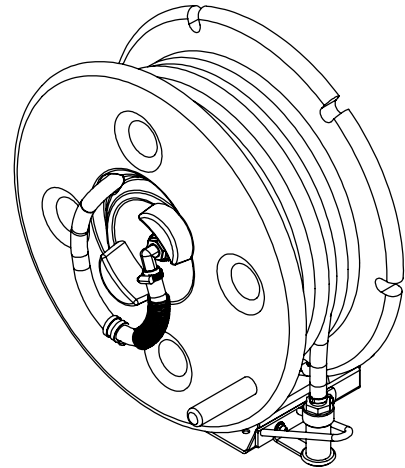
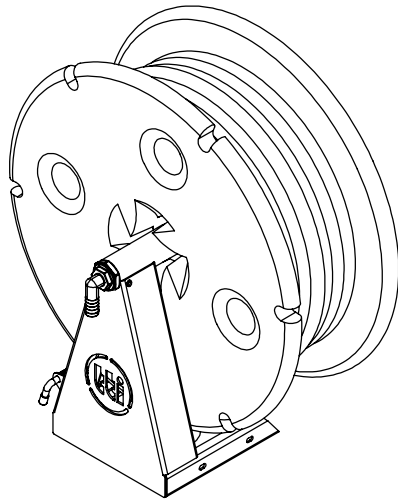


ITEM NO.	PartNo	DESCRIPTION	QTY.	Unit of Measure	REVISION
1	I-04757	Frame, 100m, Base Mount, Hose Reel	1	EA	AV7
2	I-04675	Bracket, Nozzle Holder Lock, Suit Fire Fighting Hose Reel	1	EA	AV1
3	I-06331	100m Hose Reel Bare - OR	1	EA	AV1
4	I-05373	Hose, Fire Reel, 3/4" (19mm) x 36m	1	EA	STD
5	I-07415	Red Fire fighter nozzle 25mm	1	EA	STD
6	I-05241	Steel Riser, 25mm x 220mm Galvanised	1	EA	AV2
7	I-03336	Lump End, 1" BSP x 3/4" Barb, Brass	1	EA	STD
8	I-03408	Elbow, 90° Hose fitting, 1 BSPT x 19mm Barb, Brass	2	EA	AV3
9	I-03423	Swivel, End Nut, for Hose Reel, Br	1	EA	AV1
10	I-03541	Nut, Back end, Brass	1	EA	AV1
11	I-07643	Swivel, Straight, 1 BSPM x 1 BSPF, Nickel	1	EA	STD
12	I-03963	Bolt, Spring, 9.5mm Shank, Stainless Steel	1	EA	STD
13	I-05559	Fire Fighting Hose Reel Spring	1	EA	AV1
14	I-04297	Washer, Flat, M8, Zinc Plated	4	EA	STD
15	I-04293	Nut, Nyloc, M8, Zinc plated	2	EA	STD
16	I-05251	Bolt, Hex, M8 x 25mm, Gr8.8, Zinc Plated	2	EA	STD
17	I-04325	Clamp, Worm Drive, 16-27mm, Stainless Steel	1	EA	STD
18	I-04346	Clamp, Pipe Retaining, 27mm, Rubber Lined	1	EA	STD
19	I-05430	Bolt, Pan Head Screw, #12 x 1, Zinc Plated	1	EA	STD
20	I-05437	Clamp, 2 Ear, 25-28, Zinc Plated	1	EA	STD
21	I-12065	Washer, Flat, M5, Zinc Plated	8	EA	STD
22	I-04122	Nut, Nyloc, M5, Zinc plated	4	EA	STD
23	I-04094	Bolt, Hex, M5 x 16mm, Gr8.8, Zinc Plated	4	EA	STD

Part No. : I-08256  
 Description : Poly Hose Reel 36m 19mm Hose-Coates  
 Version : AV1  
 Weight : 13.48 Kg.

Drawn by : JM  
 Drawn Date : 11/05/2023  
 Checked by : JP  
 Approved by : JP



Part No. : I-08256  
Description : Poly Hose Reel 36m 19mm Hose-Coates  
Version : AV1  
Weight : 13.48 Kg.

Drawn by : JM  
Drawn Date : 11/05/2023  
Checked by : JP  
Approved by : JP



Document Preview	PartNo	Description	Qty	Unit of Measure	Revision
	I-03336	Lump End, 1" BSP x 3/4" Barb, Brass	1	EA	STD
	I-03408	Elbow, 90° Hose fitting, 1 BSPT x 19mm Barb, Brass	2	EA	AV3
	I-03423	Swivel, End Nut, for Hose Reel, Br	1	EA	AV1
	I-03541	Nut, Back end, Brass	1	EA	AV1
	I-03963	Bolt, Spring, 9.5mm Shank, Stainless Steel	1	EA	STD
	I-04094	Bolt, Hex, M5 x 16mm, Gr8.8, Zinc Plated	4	EA	STD
	I-04122	Nut, Nyloc, M5, Zinc plated	4	EA	STD
	I-04293	Nut, Nyloc, M8, Zinc plated	2	EA	STD
	I-04297	Washer, Flat, M8, Zinc Plated	4	EA	STD
	I-04325	Clamp, Worm Drive, 16-27mm, Stainless Steel	1	EA	STD
	I-04346	Clamp, Pipe Retaining, 27mm, Rubber Lined	1	EA	STD
	I-04675	Bracket, Nozzle Holder Lock, Suit Fire Fighting Hose Reel	1	EA	AV1
	I-04757	Frame, 100m, Base Mount, Hose Reel	1	EA	AV7
	I-05241	Steel Riser, 25mm x 220mm Galvanised	1	EA	AV2
	I-05251	Bolt, Hex, M8 x 25mm, Gr8.8, Zinc Plated	2	EA	STD
	I-05373	Fire Reel Hose 36mtr x 19mm	1	EA	STD
	I-05430	Bolt, Pan Head Screw, #12 x 1, Zinc Plated	1	EA	STD

Part No. : I-08256  
 Description : Poly Hose Reel 36m 19mm Hose-Coates  
 Version : AV1  
 Weight : 13.48 Kg.

Drawn by : JM  
 Drawn Date : 11/05/2023  
 Checked by : JP  
 Approved by : JP



Document Preview	PartNo	Description	Qty	Unit of Measure	Revision
	I-05437	Clamp, 2 Ear, 25-28, Zinc Plated	1	EA	STD
	I-05559	Fire Fighting Hose Reel Spring	1	EA	STD
	I-06331	100m Hose Reel Bare - OR	1	EA	STD
	I-07415	Red Fire fighter nozzle 25mm	1	EA	STD
	I-07643	Swivel, Straight, 1 BSPM x 1 BSPF, Nickel	1	EA	STD
	I-12065	Washer, Flat, M5, Zinc Plated	8	EA	STD