
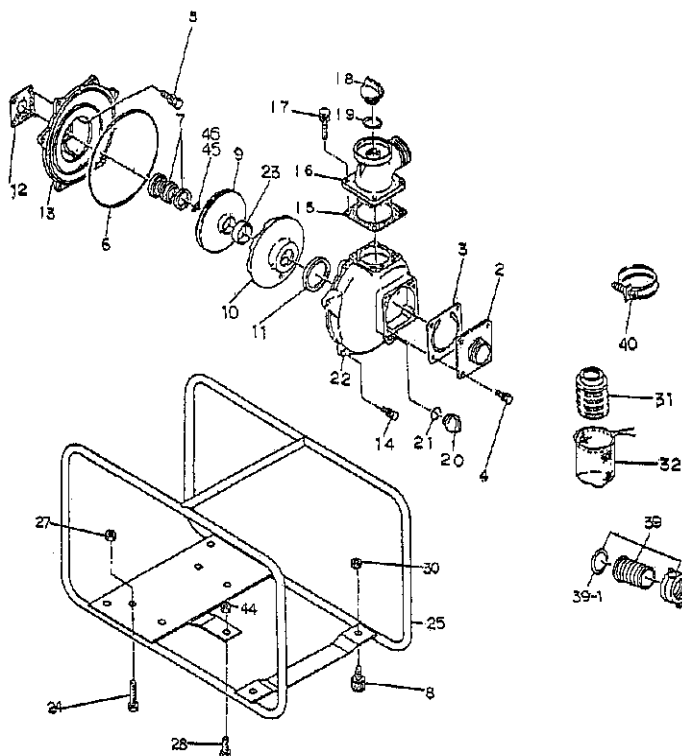



## PARTS PRICE LIST : QP-205SX

No.	PARTS NO.	PARTS NAME	Q'TY	MATERIAL
	GX160 4500rpm	ENGINE		
2	1803-100160	SUCTION COVER	1	ADC
3	1378-350350	CHECK VALVE	1	NBR+SS400
4	018105-0825	BOLT SET WITH SPRING WASHER	4	SS400
5	018105-0825	BOLT SET WITH SPRING WASHER	4	SS400
6	048935-2550	O-RING (CASING)	1	NBR
7	080311-2320	MECHANICAL SEAL	1	CERAMIC× CARBON
8	072332-3040	CUSHION RUBBER	4	NBR+SS400
9	7203-060030	IMPELLER	1	AC
10	1803-100130	VOLUTE CASING	1	ADC
11	1378-330620	VOLUTE CASING PACKING	1	NBR
12	1211-390610	CASING COVER PACKING	1	OIL SHEET
13	1378-100020	CASING COVER	1	ADC
14	018105-0825	BOLT SET WITH SPRING WASHER	6	SS400
15	1803-330360	DELIVERY ELBOW PACKING	1	NBR
16	1803-000090-0011	DELIVERY ELBOW	1	FC
17	018105-0825	BOLT SET WITH SPRING WASHER	4	SS400
18	063121-1100ASSY	FLOODING CAP WITH O-RING	1	ABS
19	048035-0300	O-RING (FLOODING CAP)	1	NBR
20	063121-1100ASSY	DRAIN CAP WITH O-RING	1	ABS
21	048035-0300	O-RING (DRAIN CAP)	1	NBR
22	4364-100010	CASING	1	ADC

No.	PARTS NO.	PARTS NAME	Q'TY	MATERIAL
23	1803-521221	LINER RING	1	DURACON
24	010505-0840	BOLT	4	SS400
25	7215-214010-0014	FRAME	1	SS400
27	020915-0080	FLANGE NUT	4	SS400
28	018105-0820	BOLT SET WITH SPRING WASHER	1	SS400
30	020915-0080	FLANGE NUT	4	SS400
31	074230-1050R	STRAINER	1	PE
32	092031-2013	NYLON NET	1	NYLON
39	074111-7050R	HOSE COUPLING SET	2	ADC
39-1	074131-0501	HOSE COUPLING PACKING	2	NBR
40	093225-2000	WIRE HOSE BAND	3	SWRM
44	020545-0080	NUT	1	SS400
45	085283-1600	ADJUST LINER	1	BSP
46	085285-1600	ADJUST LINER	1	BSP

 MATSUSAKA ENGINEERING CO., LTD.

 MATSUSAKA ENGINEERING CO., LTD.