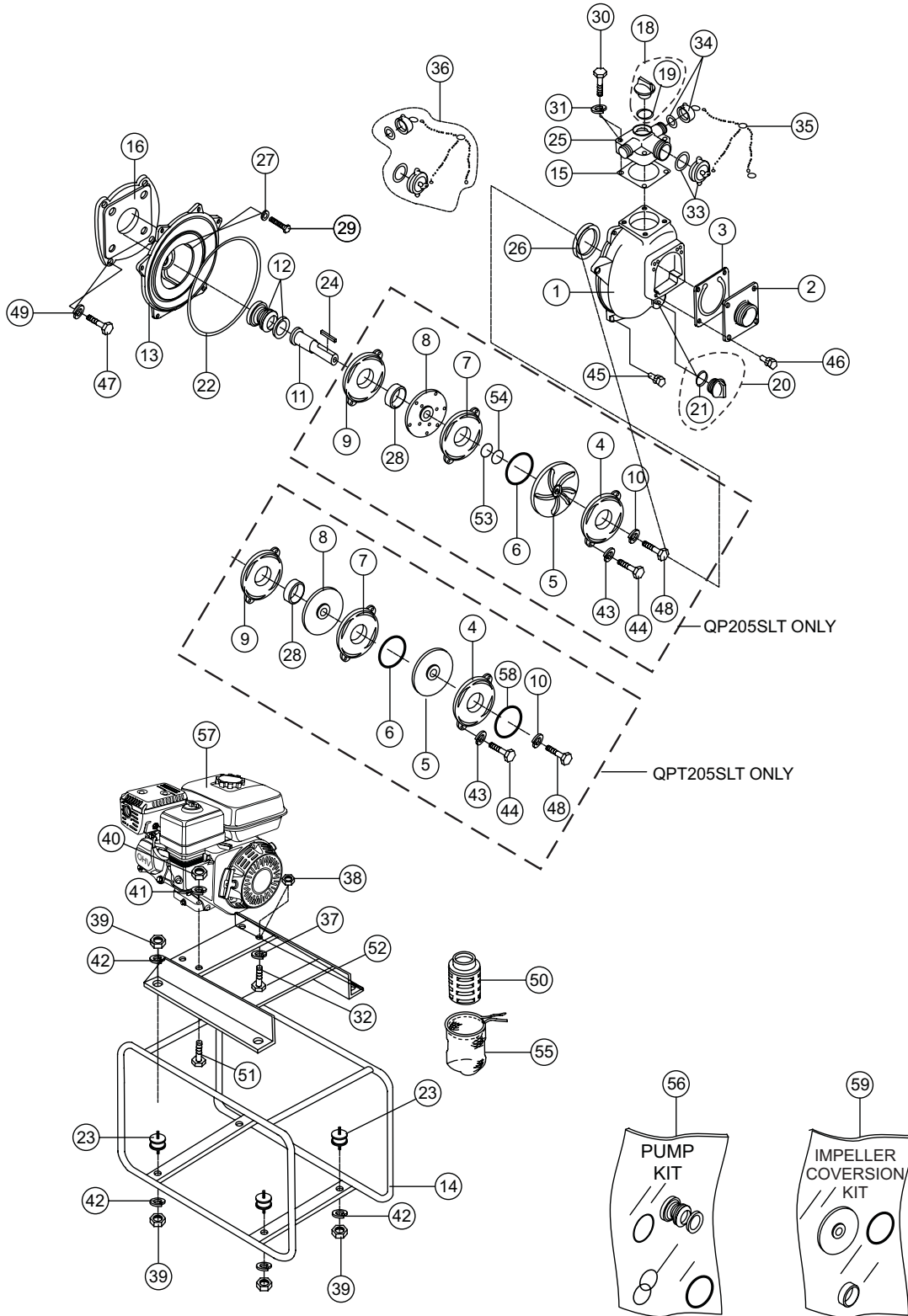


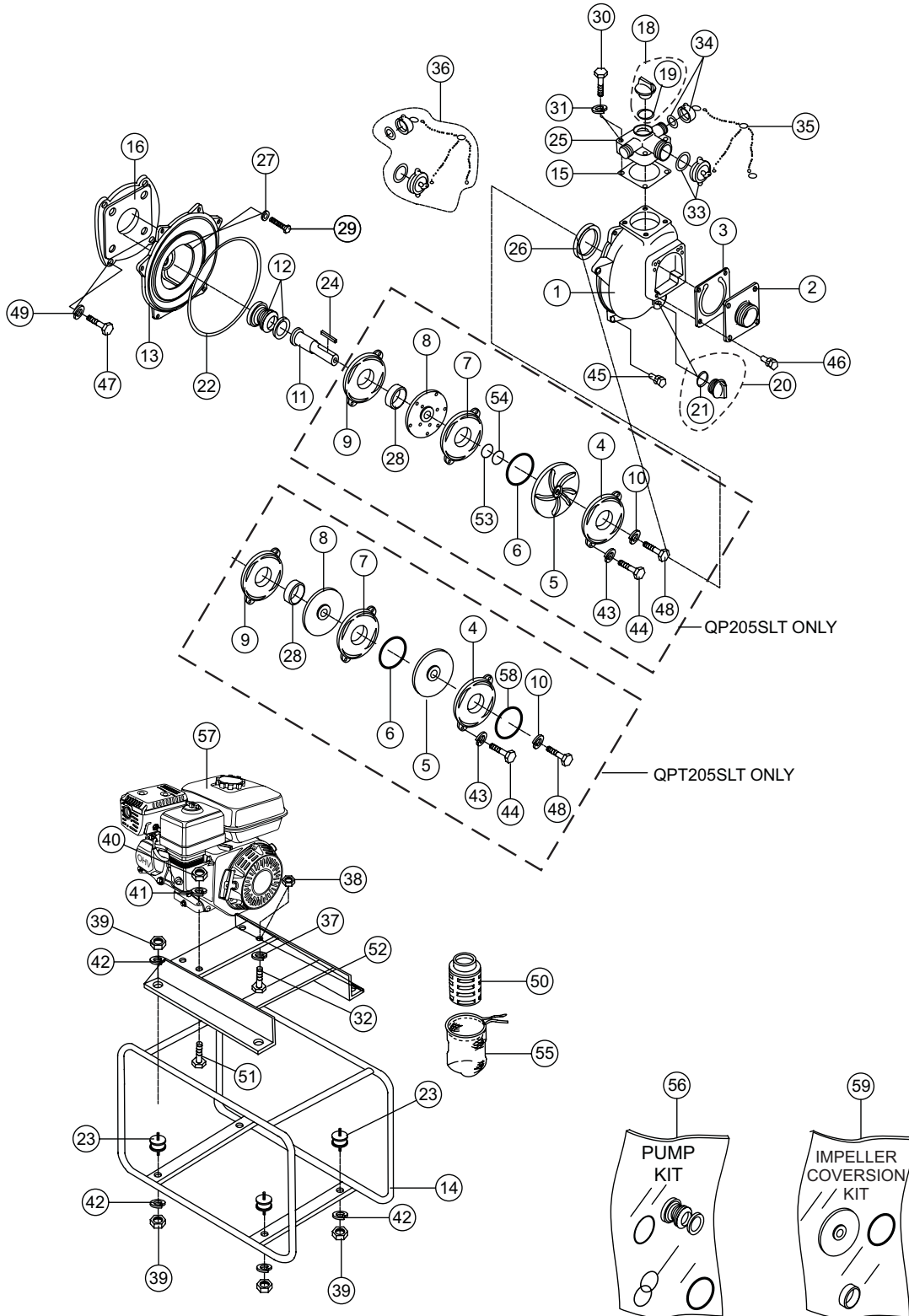
PUMP ASSEMBLY



PUMP ASSEMBLY

<u>NO.</u>	<u>PART NO.</u>	<u>PART NAME</u>	<u>QTY.</u>	<u>REMARKS</u>
1	1814100010	CASING	1	
2	1814100160	SUCTION COVER, NPT 2"	1	
3	1378350350	CHECK VALVE	1	
4	1878060130	VOLUTE CASING 1	1	QP205SLT ONLY
4%	7207060130	VOLUTE CASING 1	1	QPT205SLT ONLY
5	1878000040	OPEN IMPELLER 2	1	QP205SLT ONLY
5%	7207060040	CLOSED IMPELLER	1	QPT205SLT ONLY
6*%	1878081290	LINER RING 2	1	
7	1878060110	VOLUTE CASING 2	1	QP205SLT ONLY
7%	7207060110	VOLUTE CASING 2	1	QPT205SLT ONLY
8	1878060030	CLOSED IMPELLER 1	1	QP205SLT ONLY
8%	7207060030	CLOSED IMPELLER 2	1	QPT205SLT ONLY
9	1878060120	VOLUTE CASING 3	1	QP205SLT ONLY
9%	7207060120	VOLUTE CASING 3	1	QPT205SLT ONLY
10	43592012400011	IMPELLER WASHER 34 x 9 x 4.5T	1	QP205SLT ONLY
10%	7207251240	IMPELLER WASHER 30 x 9 x 5T	1	QPT205SLT ONLY
11	1882221010	PUMP SHAFT	1	
12*	0803112930	MECHANICAL SEAL	1	
13	1988100020	CASING COVER	1	
14	1895214010P002	BASE	1	
15	1803330360	DELIVERY COVER PACKING	1	
16	43570006000014	CASING COVER SET PLATE	1	
18	0631211100ASSY	FLOODING CAP W/O-RING	1	INCLUDES ITEM W/ #
19#	0480350300	O-RING (FLOODING CAP), P30	1	
20	0631211100ASSY	DRAIN CAP W/O-RING	1	INCLUDES ITEM W/ &
21&	0480350300	O-RING (DRAIN CAP), P30	1	
22*	0489352550	O-RING (CASING) DIA. 3.5 x 255	1	
23	0723302040	CUSHION RUBBER	4	
24	0510040443	KEY 1/4" x 1/4" x 43	1	
25	1814100090	DELIVERY COVER (3-WAY OUTLET)	1	S/N 205SLT-0131 AND BELOW
25	1814100091	DELIVERY COVER (3-WAY OUTLET)	1	S/N 205SLT-0132 AND ABOVE
26*%	0482200750	O-RING (VOLUTE CASING)	1	
27	0458220080	SEAL WASHER	4	
28%*	1803521220	LINER RING	1	

PUMP ASSEMBLY



PUMP ASSEMBLY

NO.	PART NO.	PART NAME	QTY.	REMARKS
29	0105050820	BOLT M8X20	4	
30	0105050845	BOLT M8X45.....	4.....	S/N 205SLT-0131 AND BELOW
30	0105050840	BOLT M8X40.....	4.....	S/N 205SLT-0132 AND ABOVE
31	0451250080	SPRING WASHER M8	4	
32	0105050850	BOLT M8X50	1	
33\$		CAP, W/ WASHER	1	NOT SOLD SEPARATELY
34\$		CAP, W/ WASHER	1.....	NOT SOLD SEPARATELY
35\$		CHAINS, CAPS.....	3.....	NOT SOLD SEPARATELY
36	1814209660ASSY	BALL CHAIN W/CAPS.....	1.....	INCLUDES ITEMS W/ \$
37	0451250080	SPRING WASHER M8	1	
38	0205450080	NUT M8	1	
39	0205450100	NUT M10	8	
40	0205450100	NUT M10	4	
41	0451250100	SPRING WASHER M10	4	
42	0451250100	SPRING WASHER M10	8	
43%	0451290060	SPRING WASHER M6	2	
44%	0105090640	BOLT M6X40	2	
45	0181050825	BOLT WITH SPRING WASHER M8X25	6	
46	0181050825	BOLT WITH SPRING WASHER M8X25	4	
47	0191160625	BOLT	4	
48	0181050820	BOLT SET WITH SPRING WASHER.....	1.....	QP205SLT ONLY
48%	0181090820	BOLT SET WITH SPRING WASHER.....	1	QPT205SLT ONLY
49	0451250100	SPRING WASHER M10	4	
50	0742303050	STRAINER	1	
51	0105051045	BOLT	4	
52	18672140210014	ENGINE BASE.....	1.....	REPLACES 18672140200014
53*	0852834230	ADJUST LINER	1.....	QP205SLT ONLY
54*	0852854230	ADJUST LINER	1.....	QP205SLT ONLY
55	0920312013	NYLON NET	1	
56	KIT205SLT	KIT, MECHANICAL SEAL, SLEEVE, O-RINGS.....	1.....	INCLUDES ITEMS W/ * QP205SLT ONLY
57	GX240K1PMT2	ENGINE, HONDA 8.0 HP	1.....	S/N 205SLT-0049 AND BELOW
57	GX240U1PMT2	ENGINE, HONDA 8.0 HP	1.....	S/N 205SLT-0050 TO 205SLT-0198
57	GX240UT2PMT2	ENGINE, HONDA 8.0 HP	1	S/N 205SLT-0199 AND ABOVE
58%	7207081300	LINER RING	1.....	QPT205SLT ONLY
59	7207990510	CONVERSION KIT, IMPELLER ASSY.....	1.....	INCLUDES ITEMS W/ %

NOTICE

Item 59, Conversion Kit, Part Number 7207990510, is to upgrade a QP205SLT to a QPT205SLT pump.