



KITS



PUMPS



METERS



METERED NOZZLES



NOZZLES



WASTE OIL EQUIPMENTS

PIUSI HAND PUMP

FEATURES

- OPTIMIZED SUCTION CAPACITY
- STURDY CONNECTOR
- HEAVY DUTY LEVER
- FLUENT REVOLUTION
- HIGH EFFICIENCY
- ADJUSTABLE SUCTION PIPE
- DURABILITY
- SELECTED MATERIALS
- 100% TESTED

The PIUSI HAND PUMP is a rotary vane pump suitable for transferring low viscosity oils and diesel. Entirely designed, manufactured and certified in Italy this sturdy pump guarantees a professional performance. PIUSI HAND PUMP is also available in the version to dispense Windscreen and Anti-Freeze liquids.

PERFORMANCE

UP TO

38

L/100 REVOLUTIONS

FLOW RATE

AVAILABLE WITH

3M

LENGTH

DELIVERY HOSE



HAND PUMP FOR OIL



PIUSI HAND PUMP WINDSCREEN & ANTI-FREEZE

PACKAGING

CODE	WEIGHT		PACKAGING			N. BOXES/ EUROPALLET	
	KG	LBS	MM	PCS/PALLET	PCS/BOX		
FOO33250A	2,1	4,6	350X170X140	-	1		
FOO332WOO	3,1	6,8	300X300X180	-	1		
FOO33252A	3,2	9,9	380X170X150	-	1	50	100
FOO3325B0	4,5	7	300X300X180	-	1		



FILTRATION



FLUID MONITORING



TANK MONITORING



HOSE REELS



ACCESSORIES



MERCHANDISE



AIR



ANTIFREEZE



AdBlue®



BIODIESEL



DIESEL



FOOD



GASOLINE



GREASE



KEROSENE



OIL



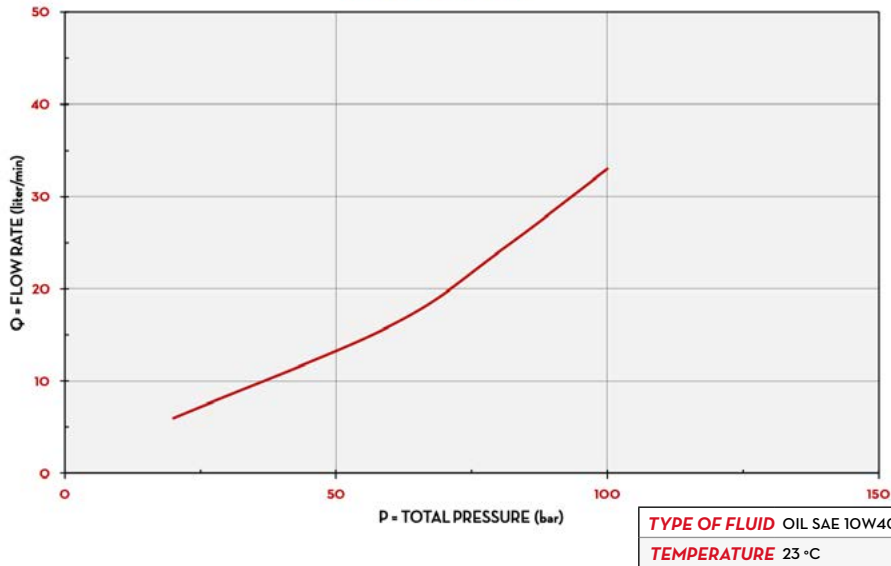
WATER



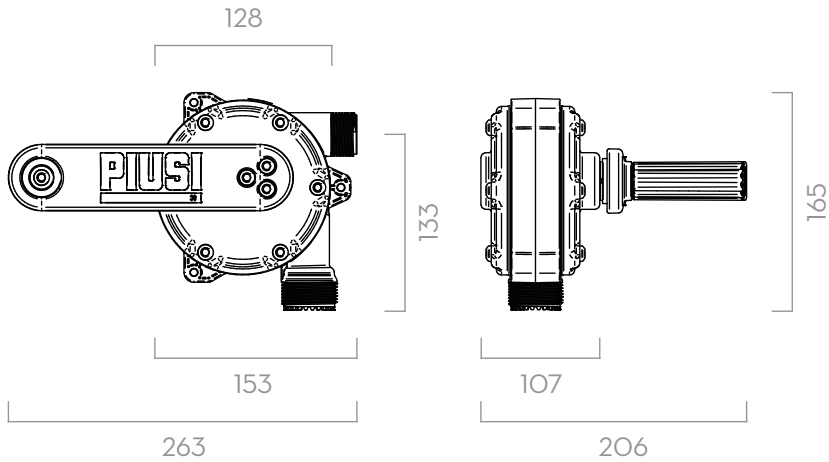
WINDSCREEN

CHART

PIUSI HAND PUMP



DIMENSIONS



Dimensions expressed in millimeters

IN THE BOX

- PIUSI HAND PUMP
- SPOUT
- SUCTION PIPE
- DRUM CONNECTOR
- INSTRUCTION MANUAL

DETAILS



MATERIALS

- BODY: STAINLESS STEEL,TECHNOPOLYMER
- ROTOR: TECHNOPOLYMER
- VANES: TECHNOPOLYMER

TECHNICAL DATA

CODE	DESCRIPTION	FLUIDS TYPE	CAPACITY PER 100 REVOLUTIONS		DRUM CONNECTOR	SUCTION TUBE	"S" SPOUT AND HOSE TAIL	DELIVERY HOSE LENGHT
			L	USG				M
FOO33250A	PIUSI HAND PUMP DIESEL/OIL 2" BSP SPOUT		38	10	2" BSP	YES	YES	-
FOO332WOO	PIUSI HAND PUMP WINDSCREEN & ANTI-FREEZE		38	10	2" BSP	YES	-	3M
FOO33252A	PIUSI HAND PUMP DIESEL/OIL 2" BSP HOSE		38	10	2" BSP	YES	YES	2,5M
FOO3325BO	PIUSI HAND PUMP IBC DIESEL/OIL		38	10	2" BSP AF2	YES	-	3M