



KITS



PUMPS



METERS



METERED NOZZLES



NOZZLES



WASTE OIL EQUIPMENTS

AIR/WATER HOSE REEL

FEATURES

- STURDY METALLIC STRUCTURE
- ANTI-FREEZE VERSION
- BENDING PROTECTION

The PIUSI AIR/WATER HOSE REEL is an automatic closed hose reel for air/water. It comes with a sturdy metallic cabinet that ensures any possible corruption of the inner components. It is ready to be fitted on the wall or into an open cabinet.

PERFORMANCE

MAX

20 BAR

OPERATING PRESSURE

12/15M

HOSE LENGTH



CLOSED AIR/WATER HOSE REEL

PACKAGING

CODE	WEIGHT		PACKAGING			N.BOXES/ EUROPALLET	
	KG	LBS	MM	PCS/PALLET	PCS/BOX		
WITH HOSE HC20121400A	6	13,2	380X180X270	15X7,1X10,6		1	20
HC201511200A	6	13,2	380X180X270	15X7,1X10,6		1	20



FILTRATION



FLUID MONITORING



TANK MONITORING



HOSE REELS



ACCESSORIES



MERCHANDISE



AIR



ANTIFREEZE



AdBlue®



BIODIESEL



DIESEL



FOOD



GASOLINE



GREASE



KEROSENE



OIL



WATER



WINDSCREEN

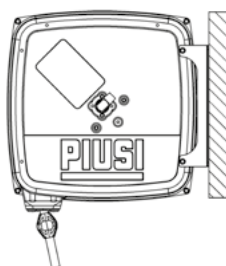
INSTALLATION

Different ways to install PIUSI's hose reels: they can be easily placed wherever you need them without any problem about functionality and safety. PIUSI's products are without a doubt designed to support your work in any condition.

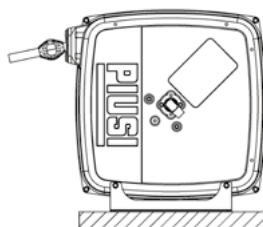
ROOF INSTALLATION



WALL INSTALLATION

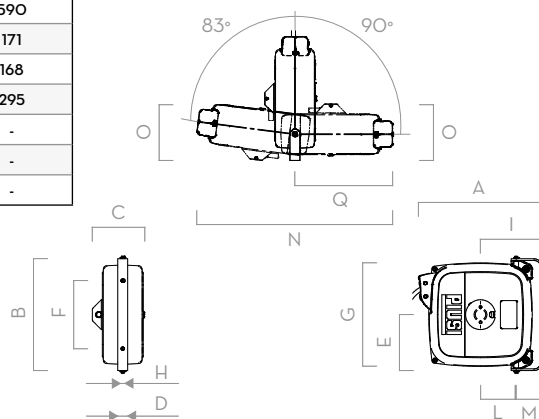


GROUND INSTALLATION



DIMENSIONS

MODEL	CLOSE HOSE REEL	MODEL	CLOSE HOSE REEL
A	374	L	108
B	337	M	79
C	160	N	590
D	30	O	171
E	168.5	P	168
F	205	Q	295
G	312	-	-
H	10.5	-	-
I	187	-	-



Measures expressed in millimeters

IN THE BOX

- AIR/WATER HOSE REEL
- WALL MOUNT BRACKET
- INSTRUCTION MANUAL

DETAILS



REVOLVING BRACKET



CONNECTION HOSE



SWIVEL

MATERIALS

- BODY: CAST IRON
- HUB: SYNTHETIC STEEL
- TUBE: RUBBER

TECHNICAL DATA

CODE	DESCRIPTION	FLUIDS TYPE	HOSE	MAX WORKING PRESSURE	PRESSURE DROP	INLET WITH SWIVEL	OUTLET HOSETAIL	HOSE MAX LENGTH BOUND	HOSE LENGTH
			BSP	BAR	BAR	BSP	BSP	M	M

WITH HOSE

HC20121400A	CLOSE REEL 10X14 + 12MT HOSE		10X14	20	-	10 MM	3/4" MALE	-	12
HC201511200A	CLOSE REEL 8X12 + 15MT HOSE		8X12	20	-	8 MM	1/4" MALE	-	15