



CAR FILLING



FUEL MANAGEMENT SYSTEMS



KITS



PUMPS



METERS



METERED NOZZLES

SUZZARABLU HAND PUMP

FEATURES

- READY / EASY TO USE
- SUITABLE FOR ANY OPERATING CONDITION

The PIUSI SUZZARABLU HAND PUMP is the basic version of hand pump (piston) offered by PIUSI. They are manufactured in plastic according to the ISO 22241.

PERFORMANCE

3M

HOSE LENGTH



SUZZARABLU HAND PUMP



PACKAGING

CODE	WEIGHT		PACKAGING		N. BOXES/EUROPALLET	
	KG	LBS	MM	PCS/BOX		

PISTON HAND PUMPS

FO033209A	1,5	3,3	160X340X140	1	72	102
FO033210A	3,4	7,5	510X240X150	1	48	66



NOZZLES



FILTRATION



TANK MONITORING



HOSE REEL



ACCESSORIES



MERCHANDISE



AIR



ANTIFREEZE



AdBlue®



BIODIESEL



DIESEL



FOOD



GASOLINE



GREASE



KEROSENE



OIL

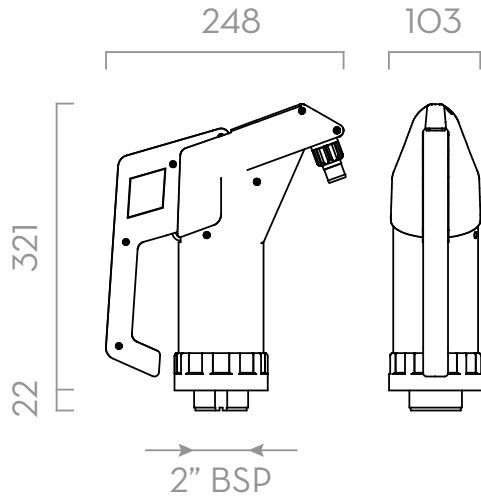


WATER



WINDSCREEN

CHART



Dimensions expressed in millimeters

IN THE BOX

- SUZZARABLU HAND PUMP
- DELIVERY HOSE (ON REQUEST)
- SUCTION PIPE
- INSTRUCTION MANUAL

DETAILS



MATERIALS

- BODY: PLASTIC
- ROTOR: PLASTIC
- VANES: PLASTIC

TECHNICAL DATA

CODE	DESCRIPTION	FLUIDS TYPE	SPOUT	HOSE		DIP PIPE	COMPLETE KIT	MAUSER AND GREIF ADAPTER FOR DRUM
			BSP	LENGHT	Ø			
FO033209A	PISTON HAND PUMP (WITH DIP PIPE)		3/4"	-	-	YES	-	-
FO033210A	PISTON HAND PUMP (WITH COMPLETE KIT)		3/4"	3 M	3/4"	YES	YES	YES

PISTON HAND PUMP