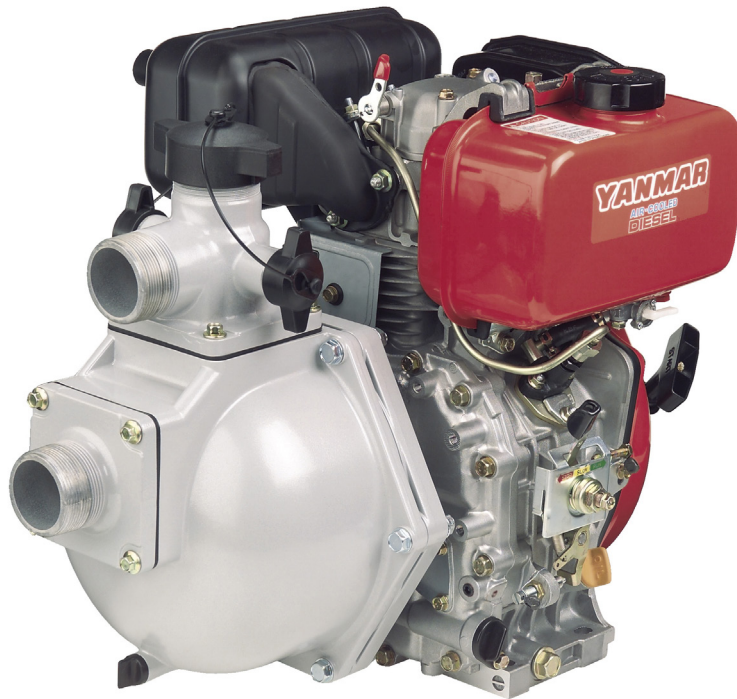


BLAZEMASTER SERIES

YANMAR ENGINE DRIVE PUMPS

SINGLE & TWIN IMPELLER PUMPS



BM70Y



FEATURES

Lightweight high grade corrosion resistant materials.

Large pump casing with raised suction port and inbuilt non-return valve for better priming capabilities.

Computational Fluid Dynamics designed hydraulic components for higher performance and efficiency.

Strong and durable construction.

Max. head - 102m.

Max. flow - 590lpm.

APPLICATIONS

- Fire fighting.
- Tank filling.
- Water transfer.
- Irrigation and spraying.

PUMP INFORMATION

Horizontal, single-stage or twin-stage, surface mounted centrifugal pump with closed impeller/s for pumping debris free water coupled to a Yanmar 4.7HP (L48N), 6.7HP (L70N) or 10HP (L100N) engine.

OPERATING CONDITIONS

Suitable for pumping clean non-aggressive liquids without solids or fibres in suspension.

Fluid:	Water.*
Maximum water temperature:	55°C.
Minimum water temperature:	1°C.
Maximum ambient temperature:	40°C.**
Maximum casing pressure:	1300kPa.

*For liquids outside of this range please consult your local Onga office for product suitability.

Viton seal kit available as replacement service part.

**Engine performance greatly reduced with increased ambient temperature and/or altitude, clarify with Engine Manufacturer.

ENGINE DATA

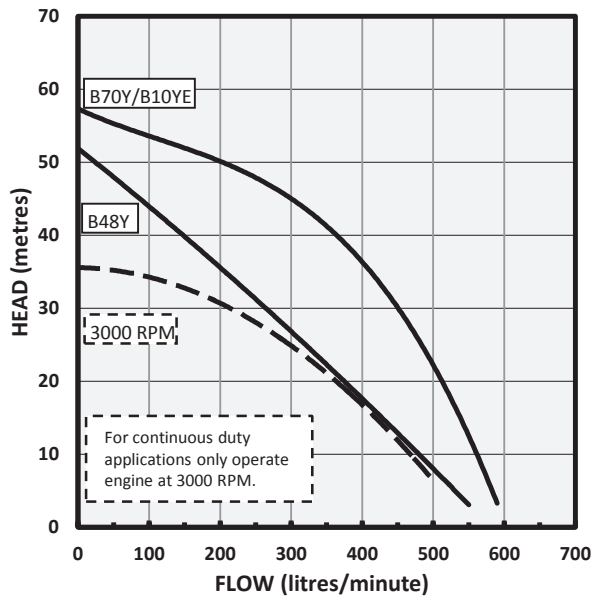
Type	Engine	Model	Nominal HP	Displacement	Continuous duty	Fuel tank capacity	Fuel	Recommended oil type	Oil capacity
B48Y	Yanmar	L48N	4.7	0.219 litres	3000 RPM	1.9 litres	Diesel	Refer to manual	0.8 litres
B70Y	Yanmar	L70N	6.7	0.320 litres	3000 RPM	2.7 litres	Diesel	Refer to manual	1.05 litres
B10YE	Yanmar	L100N	10	0.435 litres	3000 RPM	4.7 litres	Diesel	Refer to manual	1.6 litres
BM70Y	Yanmar	L70N	6.7	0.320 litres	3000 RPM	2.7 litres	Diesel	Refer to manual	1.05 litres
BM10YE	Yanmar	L100N	10	0.435 litres	3000 RPM	4.7 litres	Diesel	Refer to manual	1.6 litres

PERFORMANCE

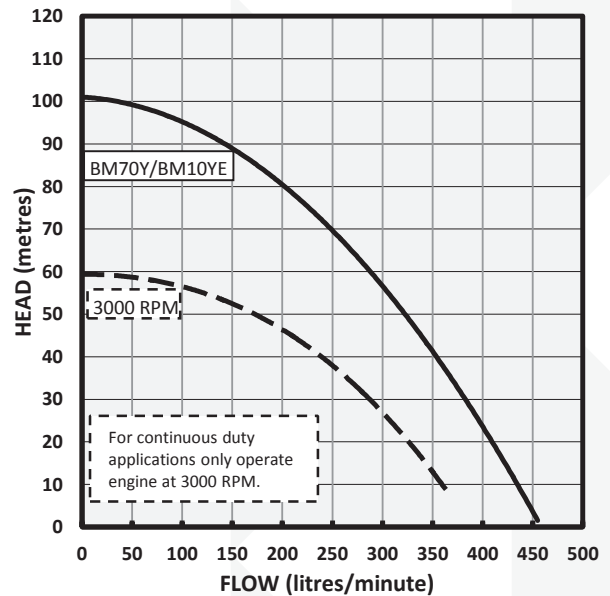
Type	P/No	Delivery head H [m]	10	20	30	40	50	60	70	80	90	100
B48Y	B48Y	Capacity [litres per minute]	480	371	265	145	27	-	-	-	-	-
B70Y	B70Y		561	512	452	365	206	-	-	-	-	-
B10YE	B10YE		561	512	452	365	206	-	-	-	-	-
BM70Y	BM70Y		434	410	382	353	322	288	247	203	144	38
BM10YE	BM10YE		434	410	382	353	322	288	247	203	144	38

PERFORMANCE CURVE

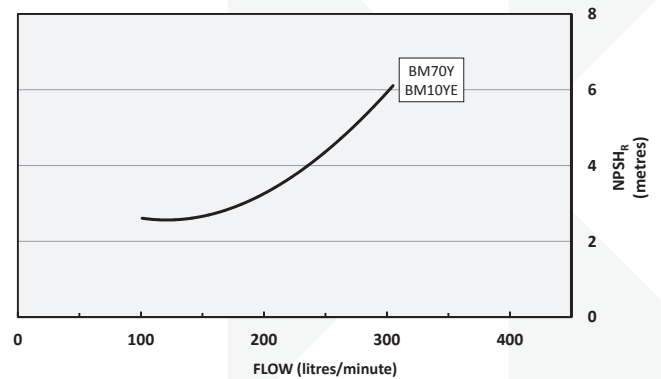
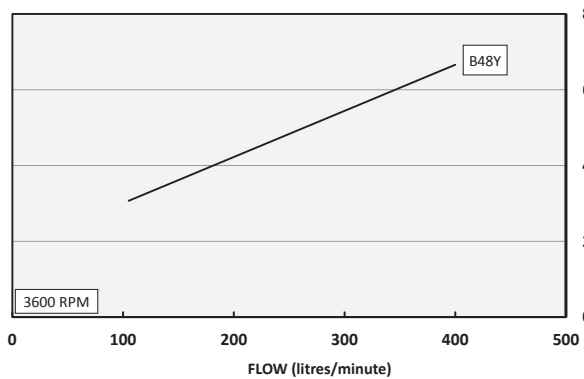
Single impeller



Twin impeller



NPSHR

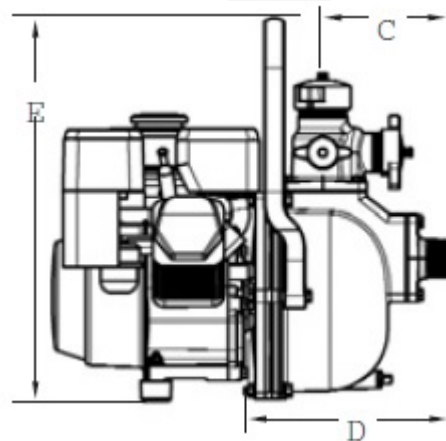
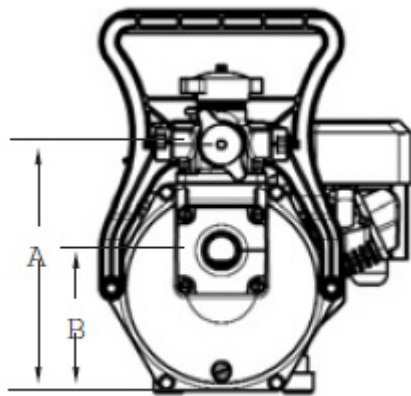


PUMP CONSTRUCTION MATERIALS

Component	Material
Pump casing	Powder coated Aluminium
Impeller/s	30% Glass Filled Nylon
Diffuser	Aluminium
Priming/discharge caps	Glass Filled Nylon
Seal flexible bellows	Nitrile
Seal stationary face	Ceramic
Seal rotating face	Carbon
Seal spring	Stainless Steel
Motor shaft	Mild Steel
O'Rings	Nitrile

DIMENSIONS

Type	Weight approx.	Inlet	Outlets	Carton L x W x H	Packed weight
B48Y	31.2kg	1½" BSP (male)	1", 1", 1½" BSP (male)	620 x 460 x 560 mm	39 kg
B70Y	38.2kg	2" BSP (male)	1", 1", 2" BSP (male)	-	-
B70YE	45.2kg	2" BSP (male)	1", 1", 2" BSP (male)	-	-
B10YE	60.2kg	2" BSP (male)	1", 1", 2" BSP (male)	-	-
BM70Y	41.1kg	2" BSP (male)	1", 1", 2" BSP (male)	-	-
BM70YE	46.1kg	2" BSP (male)	1", 1", 2" BSP (male)	-	-
BM10YE	61.1kg	2" BSP (male)	1", 1", 2" BSP (male)	640 x 560 x 560 mm	74 kg



Type	A (mm)	B (mm)	C (mm)	D (mm)	E (mm)
B48Y	320	185	166	271	480
B70Y	327	193	166	271	495
B70YE	327	193	166	271	495
BM70Y	327	193	166	271	495
BM70YE	327	193	166	271	495
BM10YE	337	203	166	271	505



Head Office Pentair AU/NZ: 1-21 Monash Drive, Dandenong South, VIC 3175, Australia. www.pentair.com.au

All Pentair trademarks and logos are owned by Pentair, Ltd. All other brand or product names are trademarks or registered marks of their respective owners. Because we are continuously improving our products and services, Pentair reserves the right to change specifications without prior notice. Pentair is an equal opportunity employer.

ABN 27 004 856 204 © 2012 Pentair, Ltd. All Rights Reserved.

© 2015 Pentair