



KT CONTRACTOR PUMPS

- Liquid temperature : 0~40°C / 32~104°F
- HP range : 2~20HP / 1.5~15KW
- PH : 6~8
- Rated Speed : 2900 / 3450 rpm
- Protection class : IP68
- Maximum depth : 8M

Features

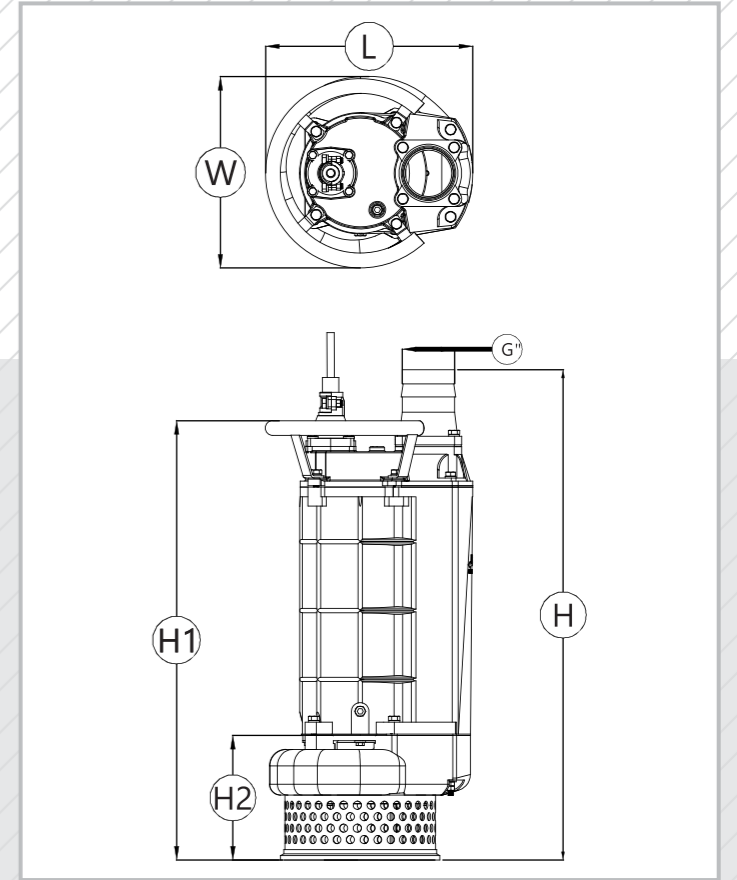
1. The top of the water effectively cooling the motor, in order to achieve the effect of motor cooling
2. Water is made of high chrome steel to achieve superior abrasion resistance

Applications

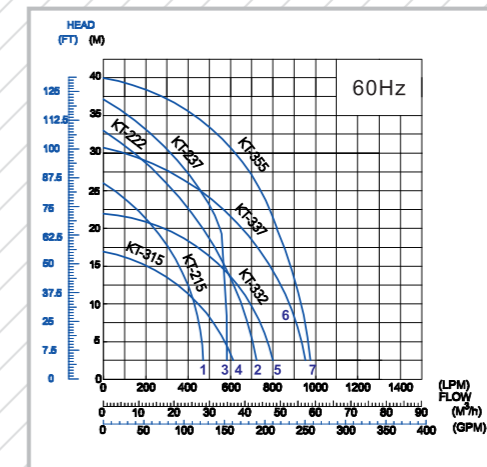
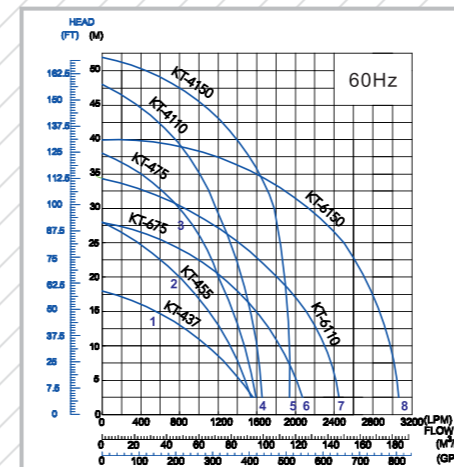
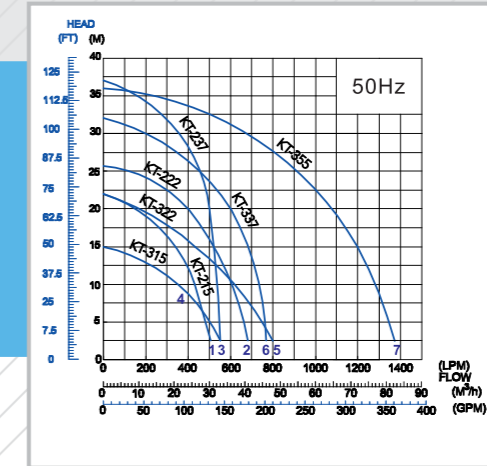
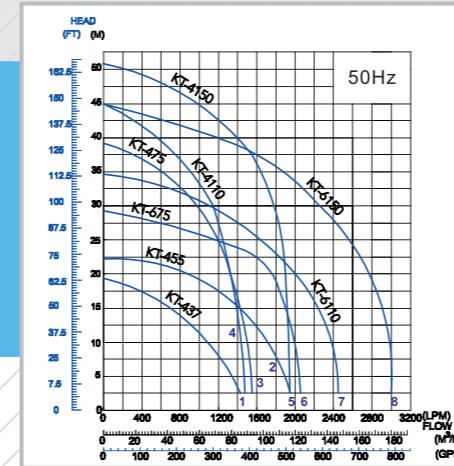
1. Tunnels, subways, mining, river and construction works

Dimension

Dimension						
Model	L	W	H	H1	H2	G
	mm	mm	mm	mm	mm	inch
KT-215	250	235	600	570	130	2
KT-222	250	235	600	570	130	2
KT-315	250	235	600	570	130	3
KT-322	250	235	600	570	130	3
KT-237	285	255	645	670	150	2
KT-337	285	255	660	670	150	3
KT-355	310	260	700	705	155	3
KT-437	285	255	670	675	155	4
KT-455	310	260	700	705	155	4
KT-475	380	350	900	805	195	4
KT-4110	380	350	900	805	195	4
KT-4150	380	350	940	805	195	6
KT-6110	380	350	940	805	195	6
KT-6150	380	350	940	805	195	6



Curve



Specification

50Hz												
Model	Output		Outlet		Max Flow (LPM)	LPM Flow @ Head					Max Head (M)	Weight (Kg)
	HP	KW	mm	inch		5M	10M	15M	20M	25M		
KT-215	2	1.5	50	2"	505	490	420	325	165	-	22	33
KT-222	3	2.2	50	2"	670	660	610	530	400	140	26	38
KT-237	5	3.7	50	2"	550	545	535	520	500	450	37	68
KT-315	2	1.5	80	3"	550	505	350	-	-	-	15	33
KT-322	3	2.2	80	3"	800	760	620	430	180	-	22	38
KT-337	5	3.7	80	3"	760	750	725	680	600	480	32	68
KT-355	7.5	5.5	80	3"	1360	1340	1280	1200	1070	910	36	78
KT-437	5	3.7	100	4"	1430	1100	-	-	-	-	19	68.5
KT-455	7.5	5.5	100	4"	1940	1650	910	-	-	-	22	77
KT-475	10	7.5	100	4"	1550	1500	1370	980	-	-	39	136.5
KT-4110	15	11	100	4"	1450	1420	1340	1140	560	-	45	144
KT-4150	20	15	100	4"	1930	1920	1890	1780	1400	280	52	160

60Hz												
Model	Output		Outlet		Max Flow (LPM)	LPM Flow @ Head					Max Head (M)	Weight (Kg)
	HP	KW	mm	inch		5M	10M	15M	20M	25M		
KT-215	2	1.5	50	2"	460	450	410	345	245	60	26	33
KT-222	3	2.2	50	2"	720	690	625	550	460	335	33	38
KT-237	5	3.7	50	2"	550	545	535	520	500	450	37	68
KT-315	2	1.5	80	3"	610	575	450	240	-	-	17	33
KT-322	3	2.2	80	3"	800	760	680	560	340	-	22	38
KT-337	5	3.7	80	3"	950	930	870	770	645	485	31	68
KT-355	7.5	5.5	80	3"	970	950	920	880	820	730	40	78
KT-437	5	3.7	100	4"	1560	1090	-	-	-	-	18	68.5
KT-455	7.5	5.5	100	4"	1520	1320	800	-	-	-	28	77
KT-475	10	7.5	100	4"	1590	1500	1200	800	-	-	38	136.5
KT-4110	15	11	100	4"	1630	1590	1430	1180	770	-	48	144
KT-4150	20	15	100	4"	1930	1920	1890	1780	1400	280	52	160

50Hz												
Model	Output		Outlet		Max Flow (LPM)	LPM Flow @ Head					Max Head (M)	Weight (Kg)
	HP	KW	mm	inch		10M	20M	30M	40M	50M		
KT-675	10	7.5	150	6"	2050	1960	1760	-	-	-	28	139
KT-6110	15	11	150	6"	2480	2395	2000	1100	-	-	34	144
KT-6150	20	15	150	6"	2950	2930	2760	2250	1200	-	45	165

60Hz												
Model	Output		Outlet		Max Flow (LPM)	LPM Flow @ Head					Max Head (M)	Weight (Kg)
	HP	KW	mm	inch		5M	10M	15M	20M	25M		
KT-675	10	7.5	150	6"	2060	2050	1870	1600	1240	810	28	139
KT-6110	15	11	150	6"	2450	2440	2340	2120	1810	1480	34	144
KT-6150	20	15	150	6"	2960	2950	2930	2870	2760	2560	40	165