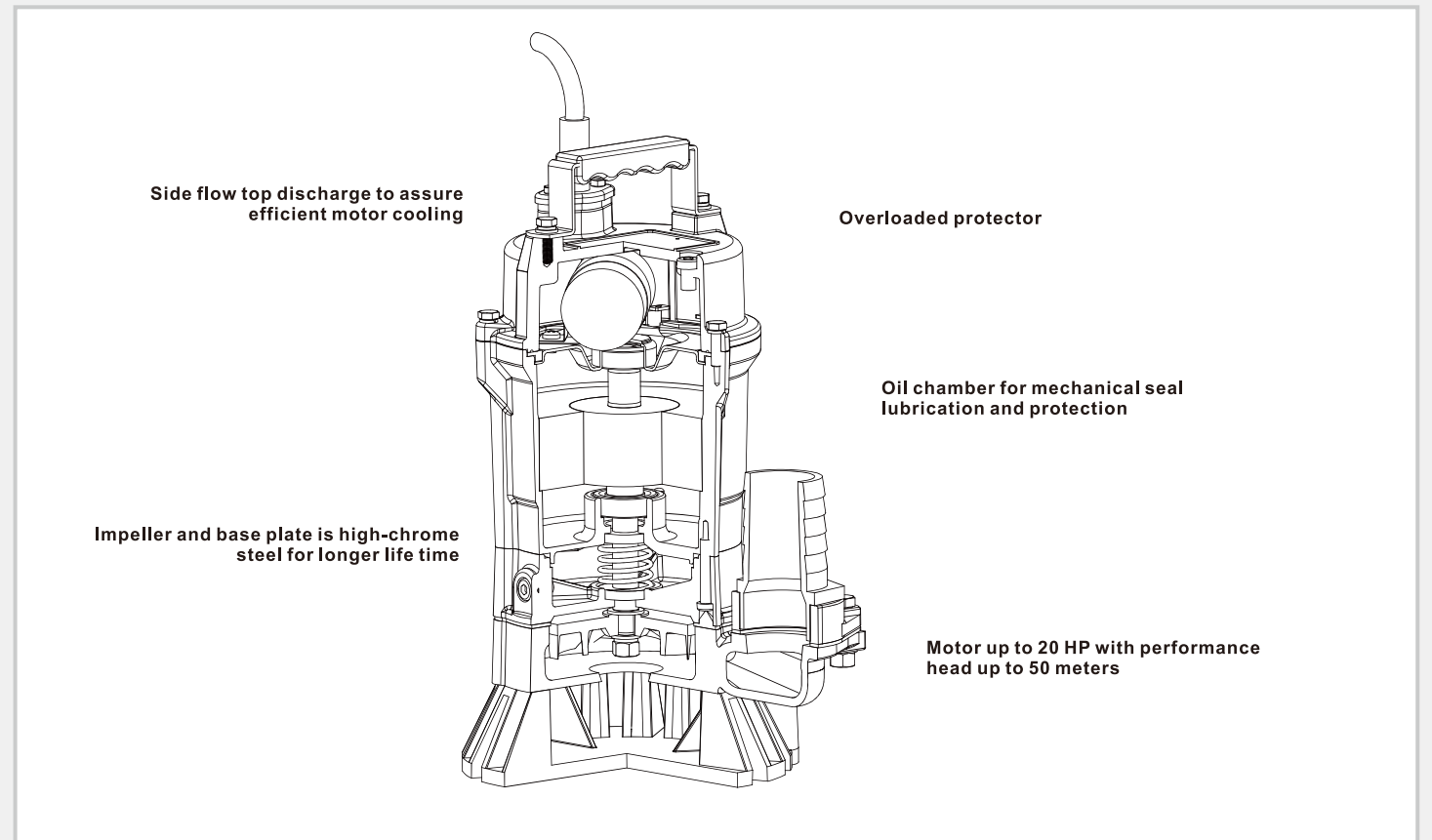




KA Dewatering Pumps

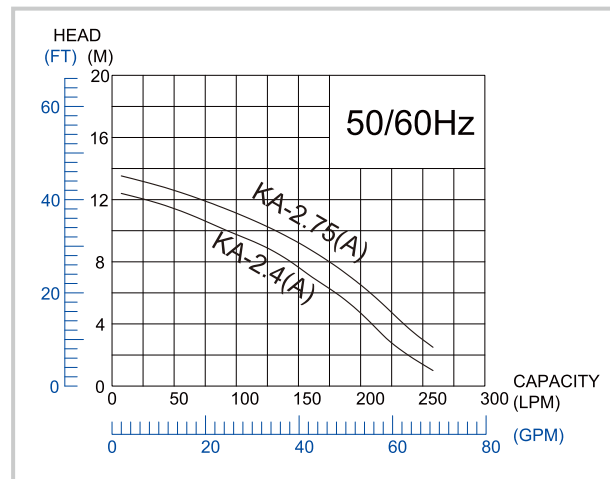
Section View



Applications



Curve

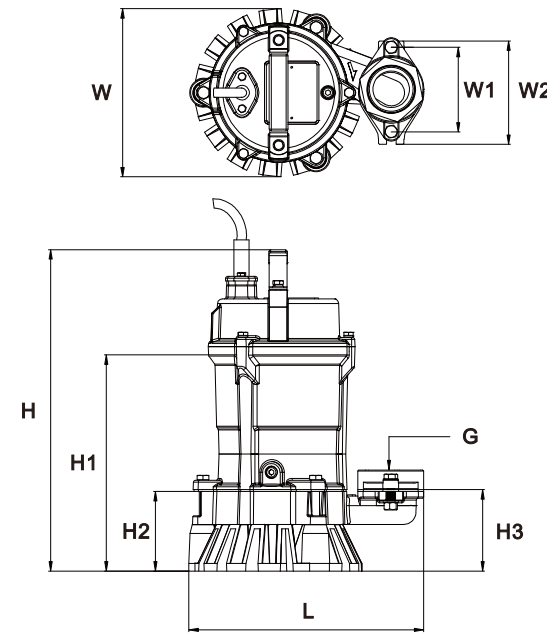


Specification

MODEL NO.	OUTPUT	OUTLET			PASS SOLID	Max FLOW(LPM)	LPM FLOW @ HEAD					Max HEAD(M)
		HP	W	MM			INCH	DIA(MM)	2M	4M	6M	
KA-2.4	1/2	400	50	2"	7	250	235	210	180	130	85	12
KA-2.4A	1/2	400	50	2"	7	250	235	210	180	130	85	12
KA-2.75	1	750	50	2"	7	275	265	235	210	175	130	14
KA-2.75A	1	750	50	2"	7	275	265	235	210	175	130	14

REMARKS: MODEL NO. ENDS WITH "A" IS EQUIPPED WITH FLOAT SWITCH.

Dimension



MODEL	L	W	W1	W2	H	H1	H2	H3	G
	MM	MM	MM	MM	MM	MM	MM	MM	INCH
KA-2.4	250	179	90	110	342	230	85	87	2
KA-2.75	294	179	90	110	408	290	145	147	2

Material

	KA
DISCHARGE CONNECTION(MM)	HOSE COUPLING
SOLIDS PASSAGE(MM)	7
IMPELLER TYPE	SEM-OPEN
SUCTION COVER	QT450-10
OIL SEAL	NBR
LABYRINTH RING	NBR
CASING	HT-250
SHAFT SEAL	CA/CE+SIC/SIC
AGITATOR	N/A
MOTOR TYPE	PSC MOTOR
PHASE	1
POLE	2
INSULATION GRADE OF SILICON STEEL	B
STARTING METHOD	D.O.L.
MOTOR PROTECTOR (BUILT-IN)	THERMAL & CURRENT PROTECTION
LUBRICANT (ML)	DRY-TYPE
LUBRICANT TYPE	N/A
FRAME	C60
SHAFT	SUS410
CABLE (M)	5M
CABLE TYPE	HO7RNF*2.5*4C
AUTOMATIC CONTROL DEVICE	FLOAT SWITCH