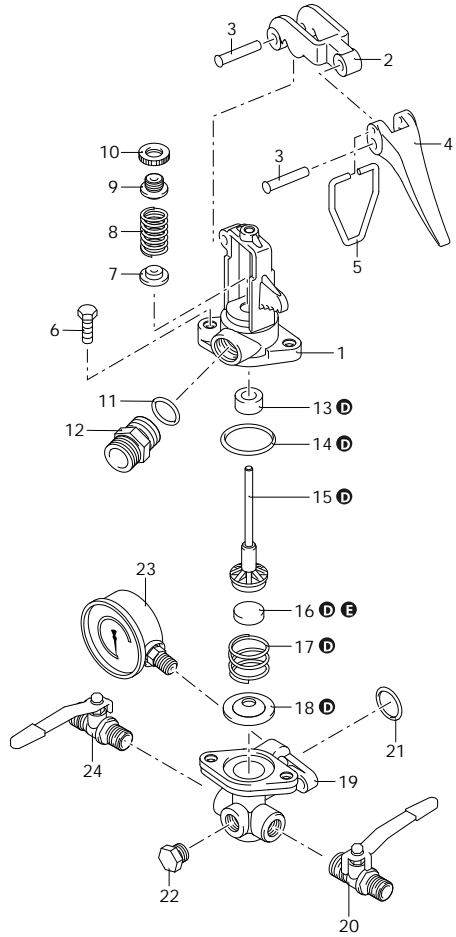




GI 40

900 GI 40

900



Code	Description	Q	Note	Validity
1	320410 Body valve	1		
2	320460 Fork	1		
3	320480 Hub pin	2		
4	320470 Lever	1		
5	320490 Support	1		
6	180370 Screw	2	TCEI M8x25 C=20Nm	
7	230120 Wobble plate	1		
8	110190 Spring	1		
9	320440 Ring nut	1		
10	320450 Wobble plate	1		
11	180101 O-ring	1	Ø 17,5x2 Lubricate with motor oil	
12	550440 Fitting	1	1/2" G - 3/4" G (M-M)	
13	390140 Gasket	1	NBR	
14	320511 O-ring	1	Ø 37,8x4	
15	320433 Complete stem	1		
16	110121 Spacer	1	Vulkolan	
17	320420 Spring	1		
18	450110 Seat	1		
19	620220 Control unit	1		
20	130492 Valve	1	3/8" G - 1/2" G (M-M) C=20Nm / Loxeal 55-14	
21	550350 O-ring	1	Ø 23,81x2,62 Lubricate with Mineral Grease	
22	130171 Plug	1	3/8" G C=20Nm / Loxeal 55-14	
23	550545 Pressure gauge	1	Ø63 - 0÷80bar	
24	130491 Valve	1	3/8" G - 1/2" G (M-M) C=20Nm / Loxeal 55-14	
D	1925 Maintenance repair kit	1	Vulkolan	
900	900 Control units	1		
E	1922 Spacer kit	1	Vulkolan	

AR_05_017_v01

Customer: AR
Customer Code:



Revision: 1

Date: 05/07/2024

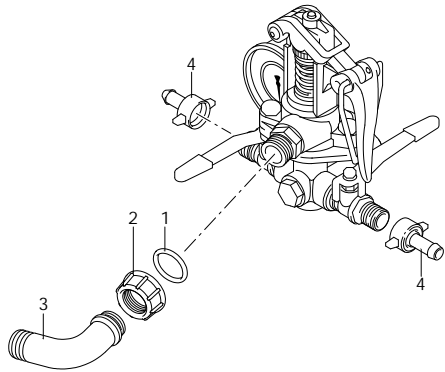
Validity: < XX/YY = From week/year



GI 40

900 GI 40

KIT
977



Code	Description		Q	Note	Validity
1	880830 O-ring	Ø 15,54x2,62	1	Lubricate Molykote G-807	
2	550450 Ring nut	3/4" G	1		
3	550460 Elbow	Ø 18	1		
4	110131 Ring nut	1/2" G	2		
977	977 Kit for built-in control unit		1		

AR_05_018_v01

Customer: AR
Customer Code:



Revision: 1

Date: 05/07/2024

Validity: < XX/YY = From week/year

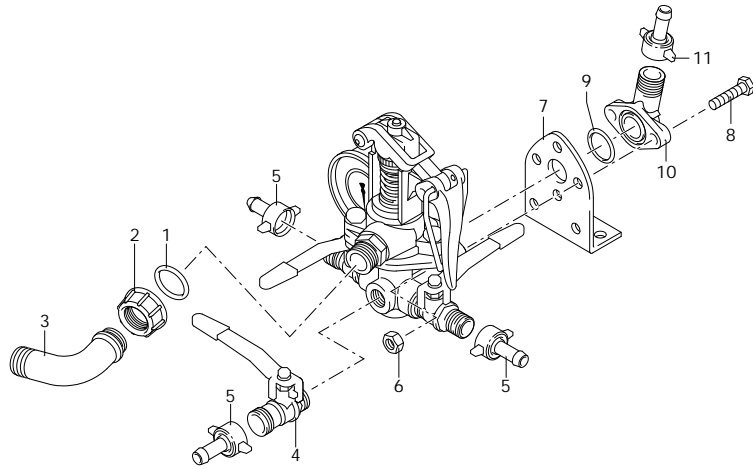


GI 40

900 GI 40

KIT

980



Code	Description		Q	Note	Validity
1	880830 O-ring	Ø 15,54x2,62	1	Lubricate Molykote G-807	
2	550450 Ring nut	3/4" G	1		
3	550460 Elbow	Ø 18	1		
4	130491 Valve	3/8" G - 1/2" G (M-M)	1	C=20Nm / Loxeal 55-14	
5	110131 Ring nut	1/2" G	3		
6	390270 Nut	M8	2	C=10Nm	
7	320406 Bracket		1		
8	160660 Screw	TE M8x35	2	C=10Nm	
9	550350 O-ring	Ø 23,81x2,62	1	Lubricate with Mineral Grease	
10	450145 Flange		1		
11	110130 Ring nut	1/2" G	1		
980	980 Kit for remote control unit		1		

AR_05_019_v01

Customer: AR

Customer Code:



Revision: 1

Date: 05/07/2024

Validity: < XX/YY = From week/year

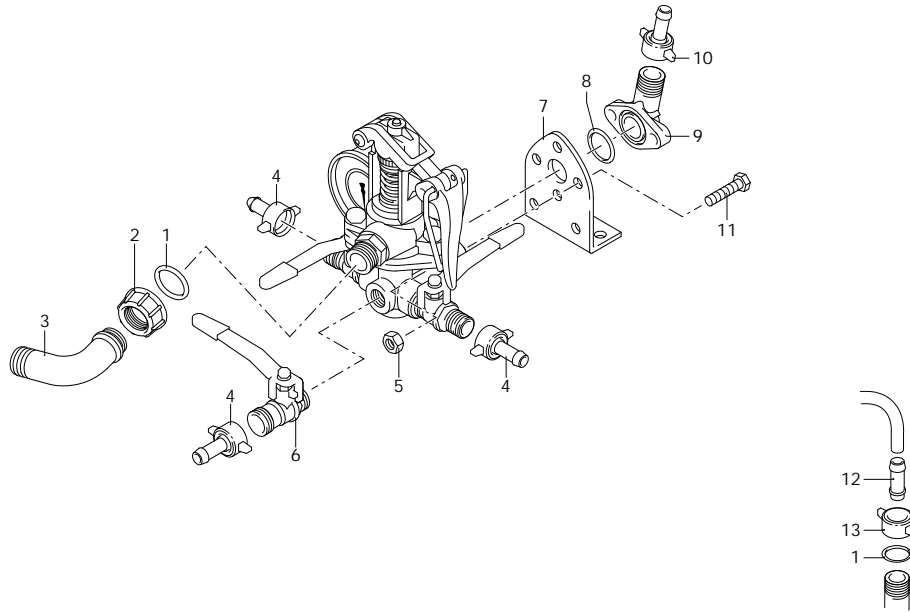


GI 40

900 GI 40

KIT

982



Code	Description		Q	Note	Validity
1	880830 O-ring	Ø 15,54x2,62	2	Lubricate Molykote G-807	
2	550450 Ring nut	3/4" G	1		
3	550460 Elbow	Ø 18	1		
4	110131 Ring nut	1/2" G	3		
5	390270 Nut	M8	2	C=10Nm	
6	130491 Valve	3/8" G - 1/2" G (M-M)	1	C=20Nm / Loxeal 55-14	
7	320406 Bracket		1		
8	550350 O-ring	Ø 23,81x2,62	1	Lubricate with Mineral Grease	
9	450145 Flange		1		
10	110130 Ring nut	1/2" G	1		
11	160660 Screw	TE M8x35	2	C=10Nm	
12	1040790 Ring nut	3/4" G	1		
13	1150580 Hose tail	Ø 13	1		
982	982 Kit for remote control unit		1		

AR_05_020_v01

Customer: AR

Customer Code:



Revision: 1

Date: 05/07/2024

Validity: < XX/YY = From week/year