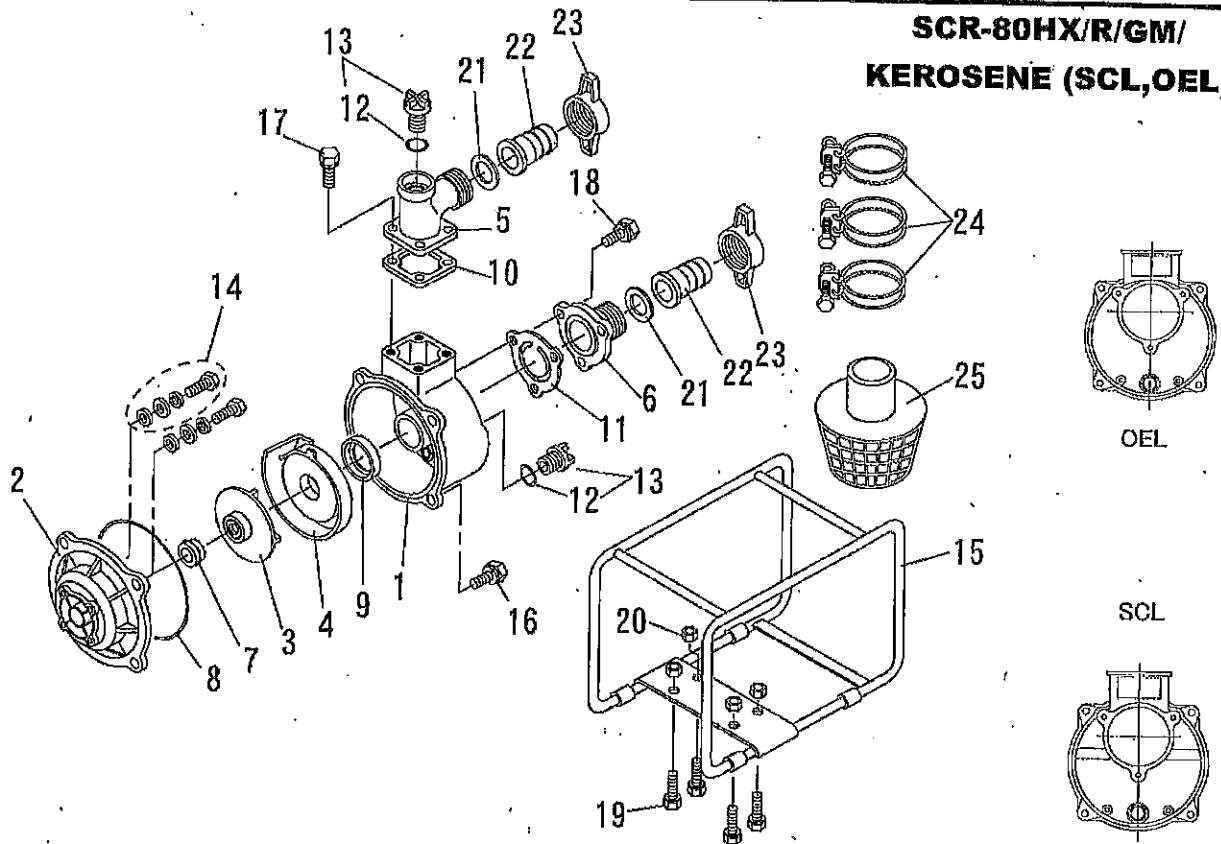


**SCR-80HX/R/GM/
KEROSENE (SCL,OEL)**



REF No.	Parts No.	Parts name	Q'ty	Price	Remarks
	ENGINE	HONDA GX160	1	-	
1	200 200 180	CASING	(1)		OEL-80
2	200 200 770	CASING COVER	1		
3	200 210 180	IMPELLER	1		HONDA, ROBIN MITUSIBUSHI
4	200 210 020	INNER CASING	1		HONDA, ROBIN MITUSIBUSHI
5	200 200 260	BEND	1		PF3
6	200 200 270	VALVE CASE	1		PF3
7	201 100 031	MECHANICAL SEAL	1		
8	200 800 180	O-RING	1		W1517-45
9	200 900 180	PACKING, INNER CASING	1		
10	200 900 190	PACKING, BEND	1		
11	200 900 110	CHECK VALVE	1		
12	200 800 020	O-RING	(1)		P-24
13	200 500 040	PLUG ASSY	2		
14	203 000 100	CASING BOLT ASSY M8x50	4		M8 x 50
15	200 100 050	FRAME (BLACK)	1		
16	203 000 080	HEX.BOLT	4		M10 x 30 P=2
17	203 000 050	HEX.BOLT	4		M8x25 P=2
18	203 000 060	HEX.BOLT	3		M8x30 P=2
19	203 000 070	HEX.BOLT	4		M8x40 P=2
20	203 200 010	FLANGE NUT	4		M8
21	200 900 060	PACKING, COUPLING	2		NBR
22	200 500 100	HOSE COUPLING	2		ABS
23	200 200 250	HOSE COUPLING HANDLE	2		PF3
24	201 000 060	HOSE BAND	3		3"
25	201 200 050	STRAINER	1		3"J