

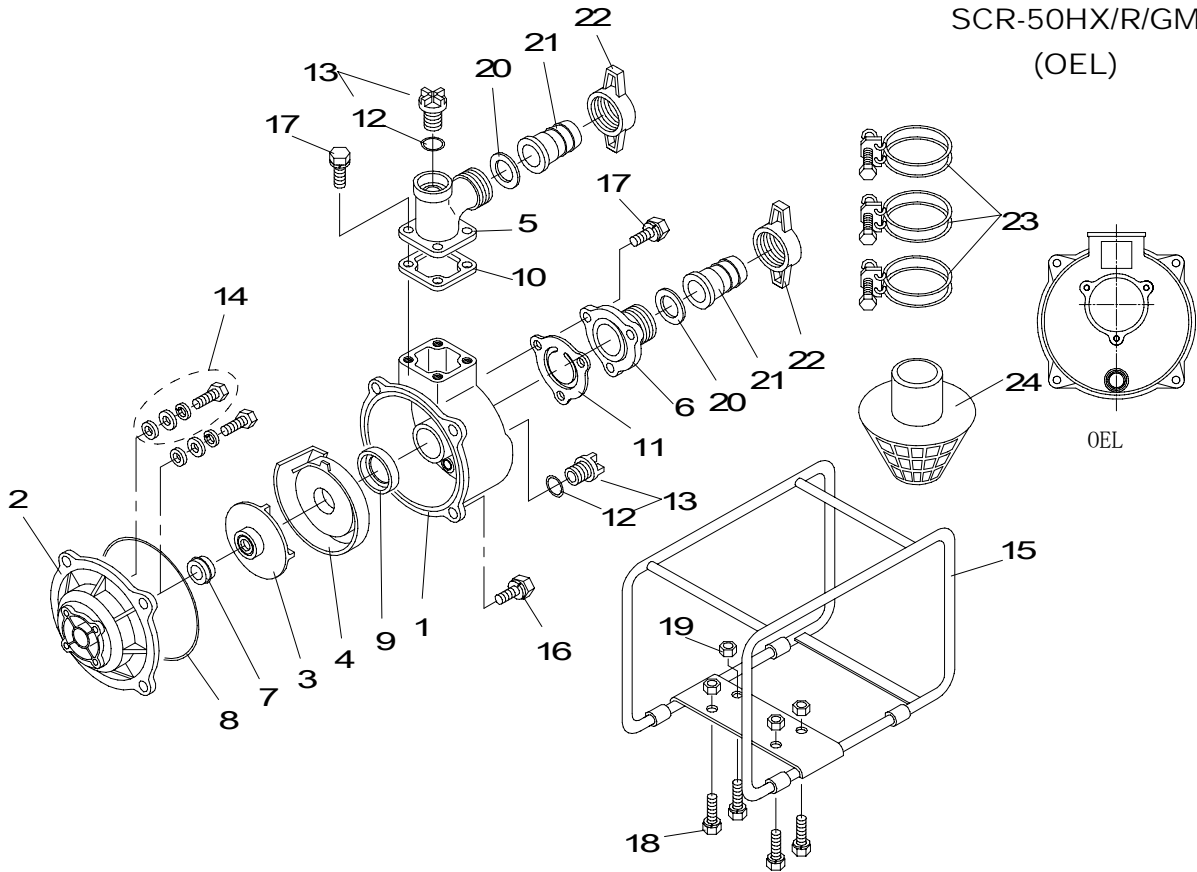
(' 06. MARCH)

WATER PUMP PARTS CATALOG

MODEL : SCR-50HX

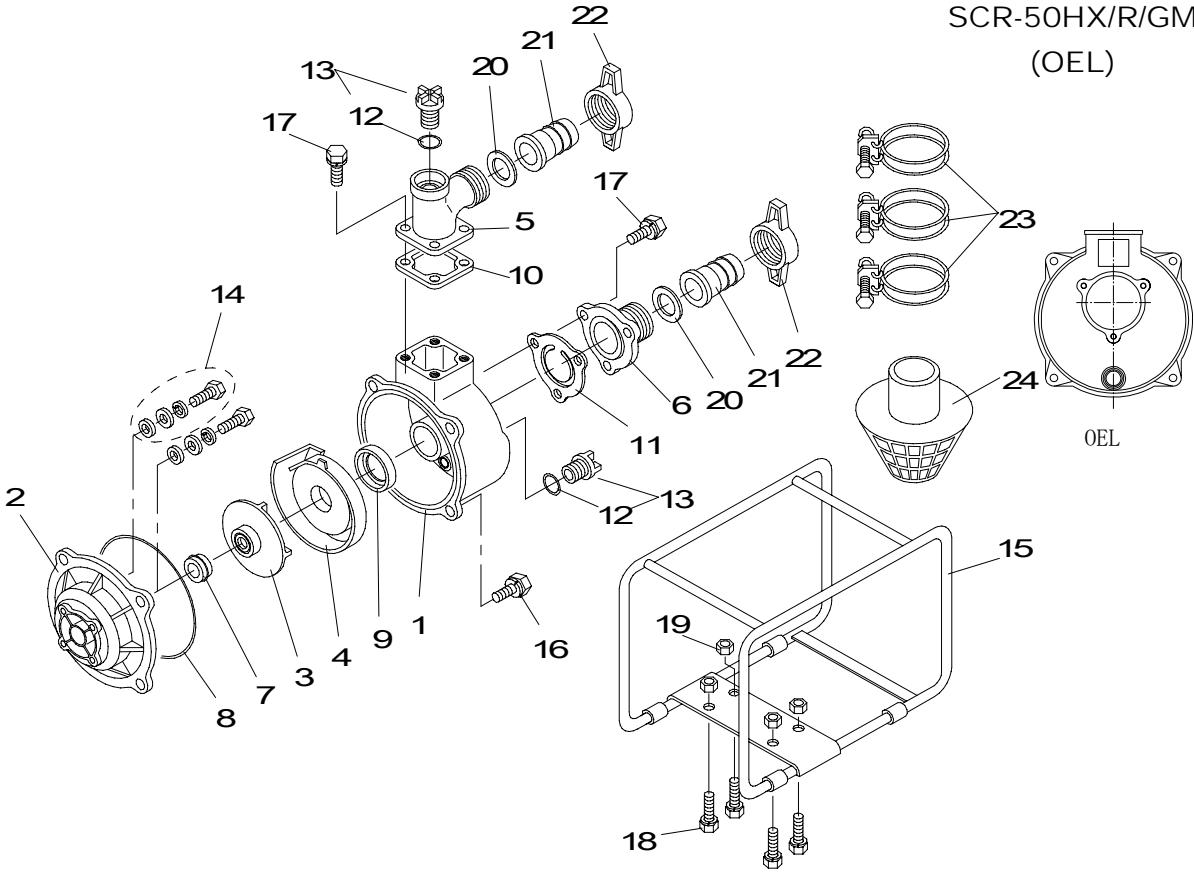
DAISHIN

SCR-50HX/R/GM
(OEL)



REF No.	Parts No.	Parts name	Q'ty		Remarks
	ENGINE	HONDA GX120	1		
1	200 200 140	CASING	1		OEL-50
2	200 200 770	CASING COVER	1		
3	200 210 110	IMPELLER	1		
4	200 210 010	INNER CASING	1		
5	200 200 240	BEND	1		EX-HIGH-PF
6	200 200 230	VALVE CASE	1		EX-PF
7	201 100 031	MECHANICAL SEAL	1		
8	200 800 180	O-RING	1		W1517-45
9	200 900 240	PACKING, INNER CASING	1		
10	200 900 170	PACKING, BEND	1		
11	200 900 120	CHECK VALVE	1		
12	200 800 020	O-RING	(2)		P-24
13	200 500 040	PLUG ASSY	2		
14	203 000 100	CASING BOLT ASSY	4		M8×50
15	200 100 031	FRAME (WHITE)	1		HONDA
	200 100 030	FRAME (BLACK)	(1)		HONDA
	200 100 041	FRAME (WHITE)	(1)		ROBIN/MITSUBISHI
	200 100 040	FRAME (BLACK)	(1)		ROBIN/MITSUBISHI
16	203 000 080	HEX.BOLT	4		M10×30 P=2
17	203 000 040	HEX.BOLT	7		M8×25 P=2
18	203 000 070	HEX.BOLT	4		M8×40 P=2
19	203 200 010	FLANGE NUT	4		M8

SCR-50HX/R/GM
(OEL)



REF No.	Parts No.	Parts name	Q'ty		Remarks
20	200 900 050	PACKING, COUPLING	2		NBR
21	200 500 090	HOSE COUPLING	2		ABS
22	200 500 070	HOSE COUPLING HANDLE	2		PF2
23	201 000 040	HOSE BAND	3		2"
24	201 200 030	STRAINER	1		2"J