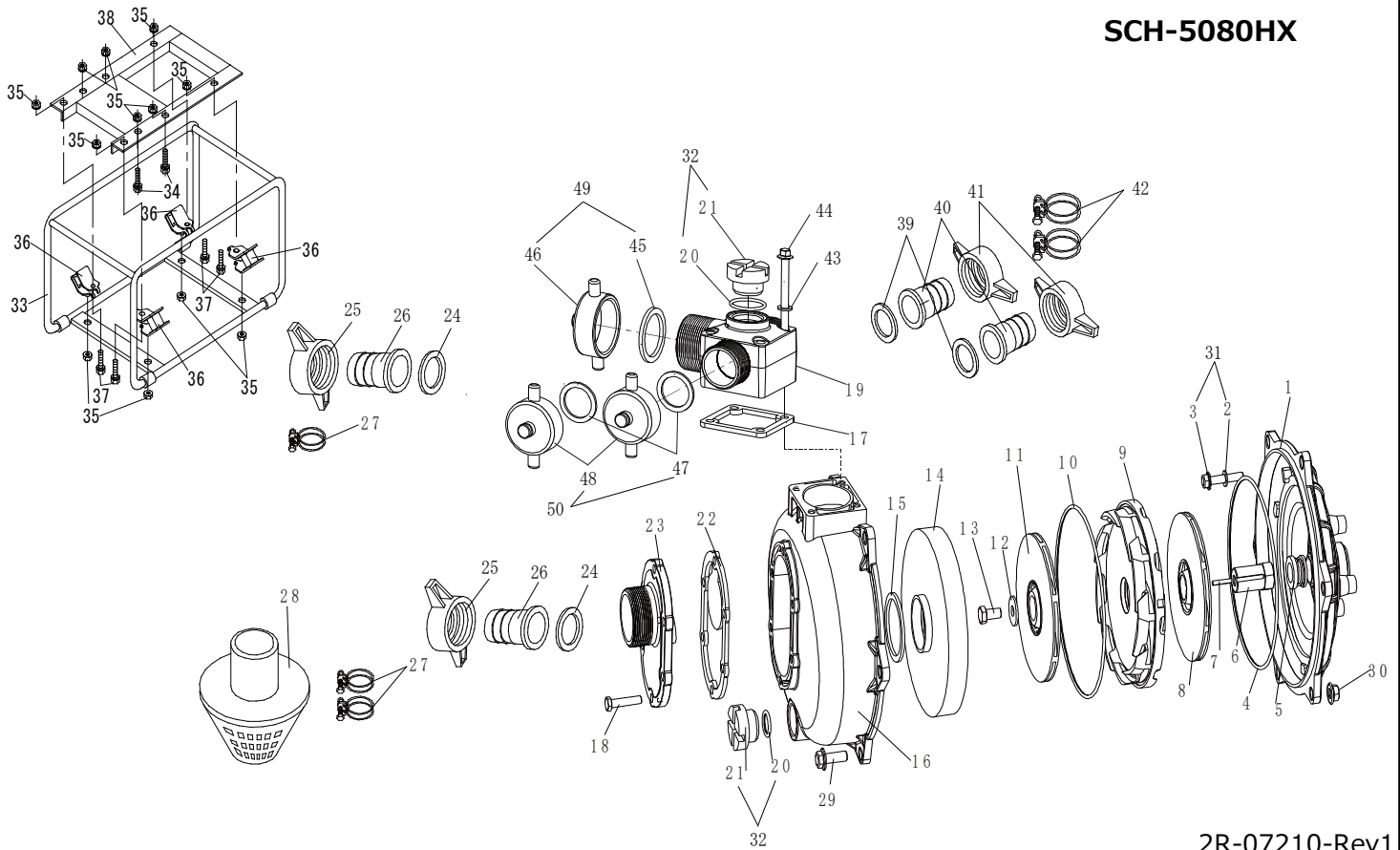


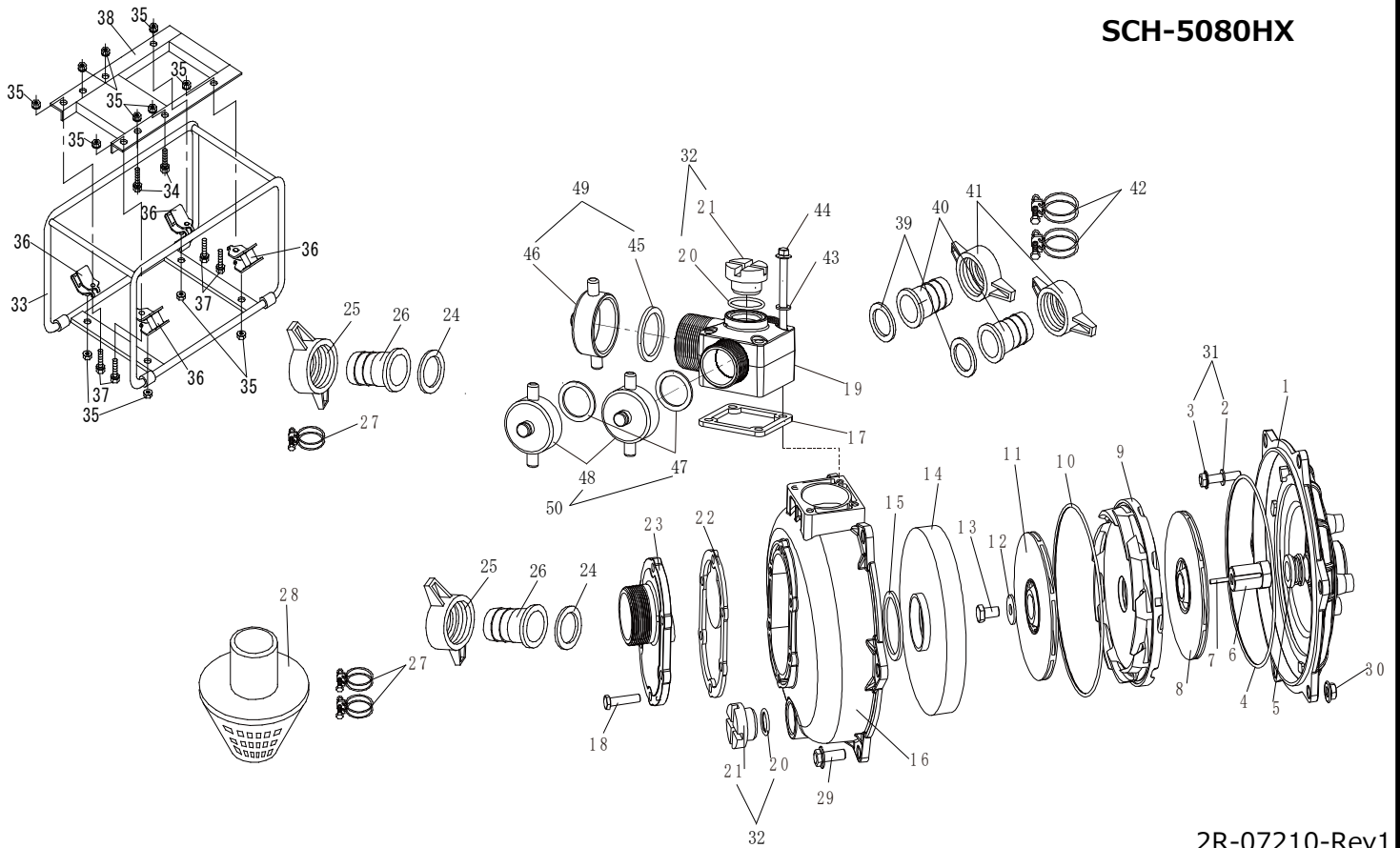
SCH-5080HX



2R-07210-Rev1

| REF No. | Parts No. | Parts name | Q'ty | Price | Remarks |
|---------|-------------|----------------------|------|-------|---------------|
| 1 | 200 201 350 | PUMP COVER | 1 | | |
| 2 | 203 000 890 | WASHER | 4 | | Φ8×16×1.5 |
| 3 | 203 000 890 | BOLT | 4 | | M8×45 |
| 4 | 200 800 310 | PUMP BODY-RING | 1 | | |
| 5 | 201 100 170 | WATER SHEEL ASSY. | 1 | | |
| 6 | 200 300 790 | CONNECTING SHAFT | 1 | | |
| 7 | 203 300 220 | FLAT KEY | 1 | | 4×4×32 |
| 8 | 200 211 070 | IMPELLER (TWO) | 1 | | |
| 9 | 200 211 080 | TURBINE (TWO) | 1 | | |
| 10 | 200 800 320 | TURBINE(TWO) -RING | 1 | | |
| 11 | 200 211 090 | IMPELLER (ONE) | 1 | | |
| 12 | 203 100 280 | WASHER | 1 | | Φ10×Φ30×4 |
| 13 | 203 000 900 | BOLT | 1 | | M10×20 |
| 14 | 200 211 100 | TURBINE | 1 | | |
| 15 | 200 300 800 | TURBINE-RING | 1 | | |
| 16 | 200 201 340 | PUMP BODY | 1 | | |
| 17 | 200 900 700 | PACKING,BEND | 1 | | |
| 18 | 203 000 910 | BOLT | 6 | | M8×25 |
| 19 | 200 201 360 | BEND | 1 | | 2in+(1.5in*2) |
| 20 | 200 800 330 | O-RING | 2 | | |
| 21 | 200 500 350 | PLUG | 2 | | |
| 22 | 200 900 710 | CHECK VALVE | 1 | | |
| 23 | 200 201 370 | VALVE CASE | 1 | | 2in |
| 24 | 200 900 050 | PACKING, COUPLING | 2 | | 2in |
| 25 | 200 500 070 | HOSE COUPLING HANDLE | 2 | | 2in |

SCH-5080HX



2R-07210-Rev1

| REF No. | Parts No. | Parts name | Q'ty | Price | Remarks |
|---------|----------------|-----------------------|------|-------|-----------------|
| 26 | 200 500 090 | HOSE COUPLING | 2 | | 2in |
| 27 | 201 000 030 | HOSE BAND | 3 | | 2in |
| 28 | 201 200 030 | STRAINER | 1 | | |
| 29 | 203 000 920 | BOLT | 6 | | M10×30 |
| 30 | 203 200 110 | NUT | 6 | | M10 |
| 31 | 203 000 890 | BOLT WITH WASHER SET | 1 | | M8×45,Φ8×16×1.5 |
| 32 | 200 500 380 | PLUG ASSY | 1 | | |
| 33 | 200 103 810 | FRAME(BLACK) | 1 | | |
| 34 | 203 000 790 | HEX.BOLT | 4 | | M8×40 |
| 35 | 203 200 100 | FLANGE NUT | 12 | | M8 |
| 36 | 15 350 363 000 | ANTI VIBRATION RUBBER | 4 | | |
| 37 | 203 000 041 | BOLT | 4 | | M8×25 |
| 38 | 200 101 830 | BASE(BLACK) | 1 | | |
| 39 | 200 900 040 | PACKING, COUPLING | 2 | | 1.5in |
| 40 | 200 500 140 | HOSE COUPLING | 2 | | 1.5in |
| 41 | 200 500 150 | HOSE COUPLING HANDLE | 2 | | 1.5in |
| 42 | 201 000 030 | HOSE BAND | 2 | | 1.5in |
| 43 | 203 100 290 | Washer | 4 | | Φ8×16×1.5 |
| 44 | 203 000 930 | BOLT | 4 | | M8*73 |
| 45 | 200 900 720 | PACKING, CAP | 1 | | 2in |
| 46 | 200 500 390 | CAP | 1 | | 2in |
| 47 | 200 900 730 | PACKING, CAP | 2 | | 1.5in |
| 48 | 200 500 400 | CAP | 2 | | 1.5in |
| 49 | 200 500 410 | CAP ASSY | 1 | | 2in |
| 50 | 200 500 420 | CAP ASSY | 2 | | 1.5in |