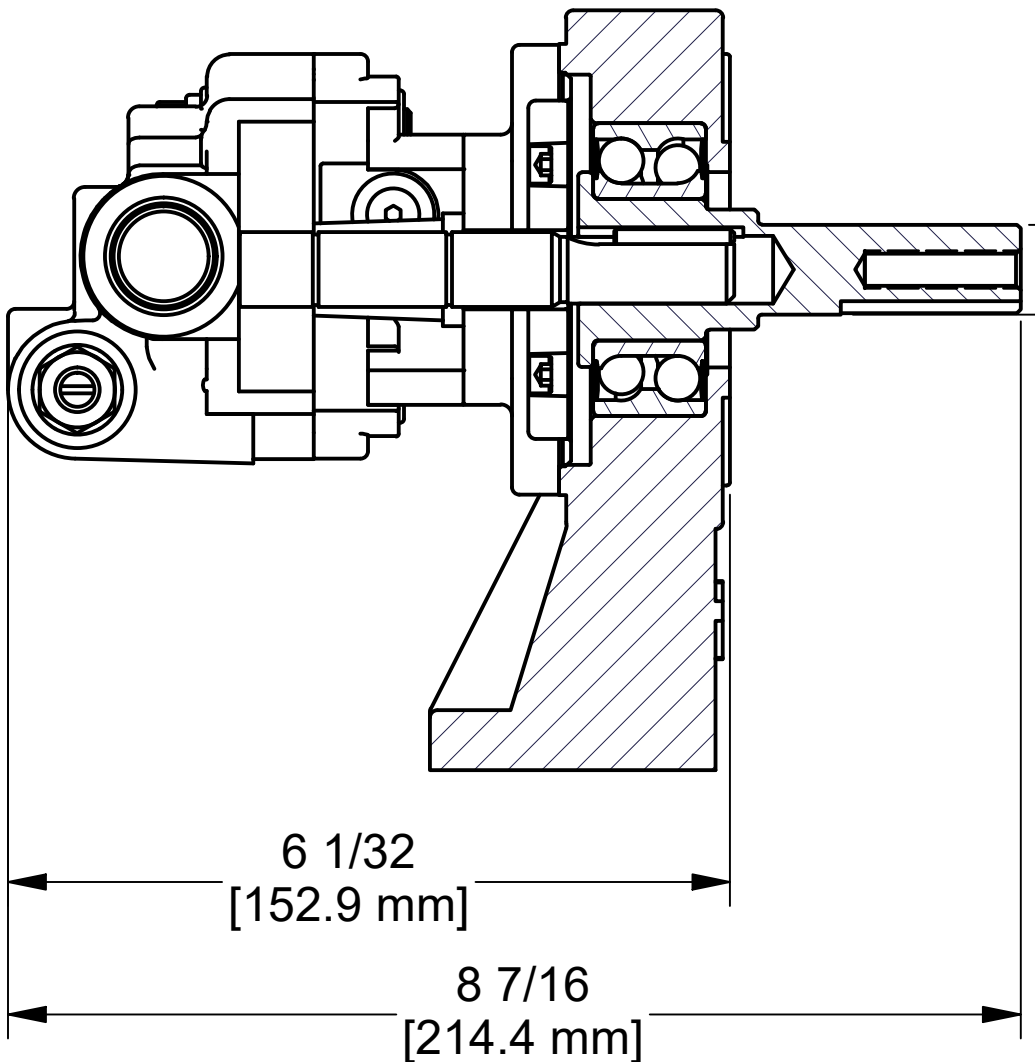
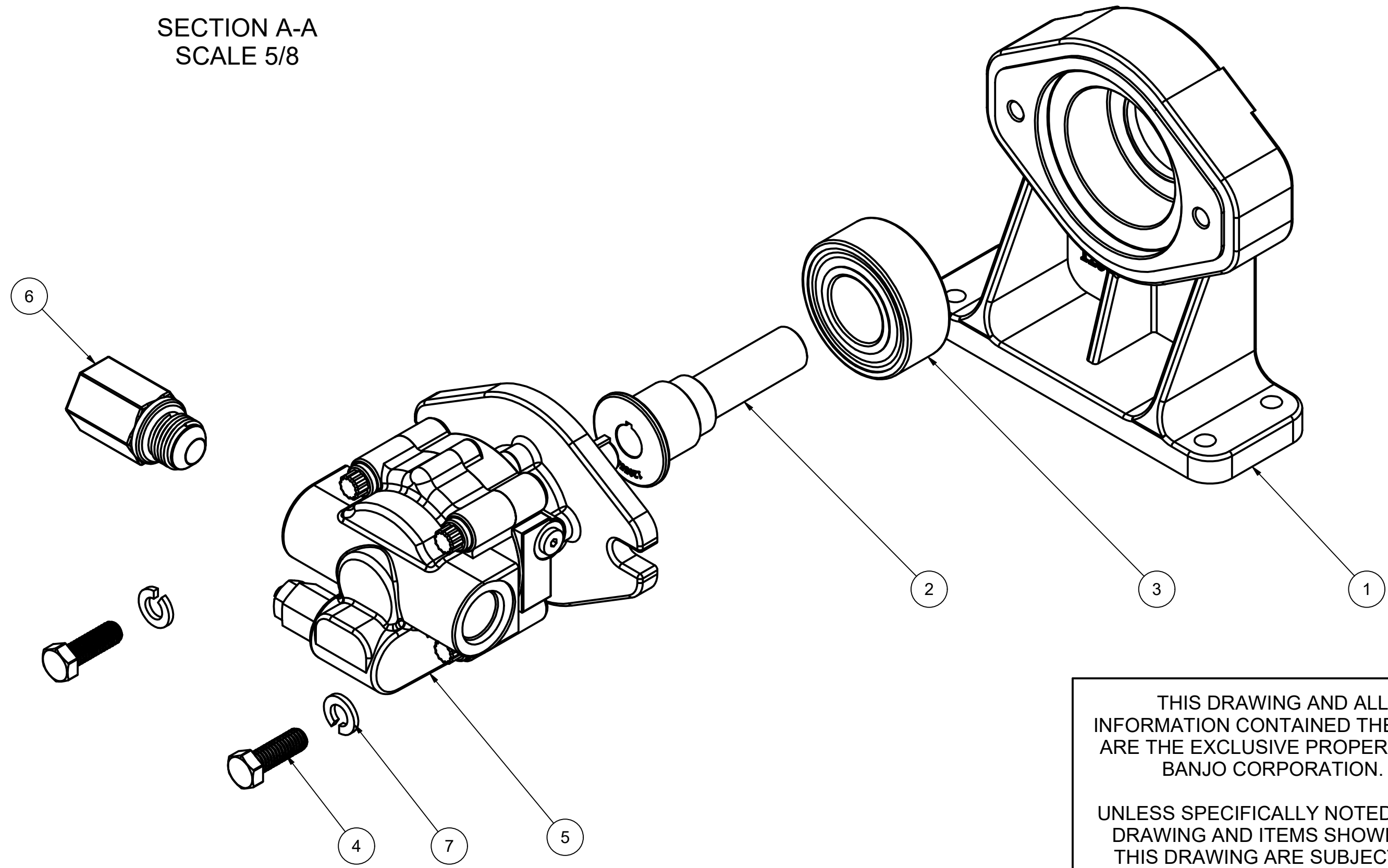
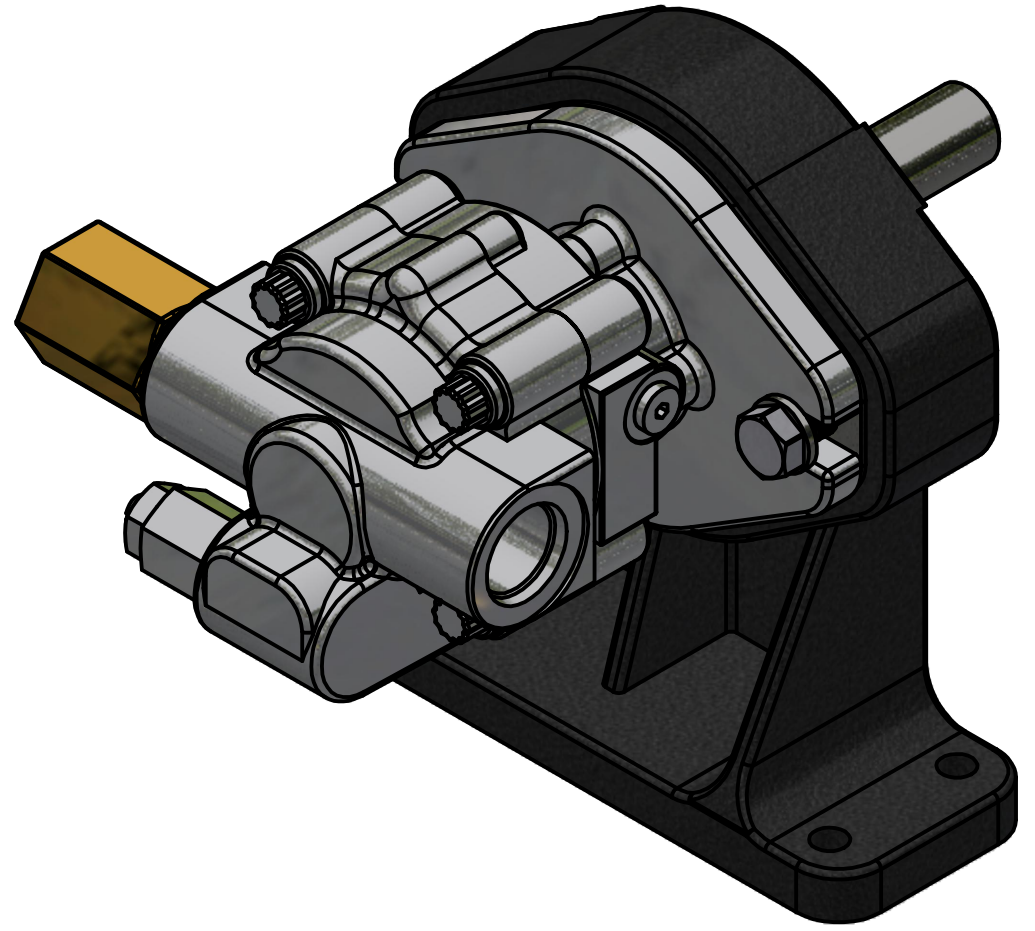
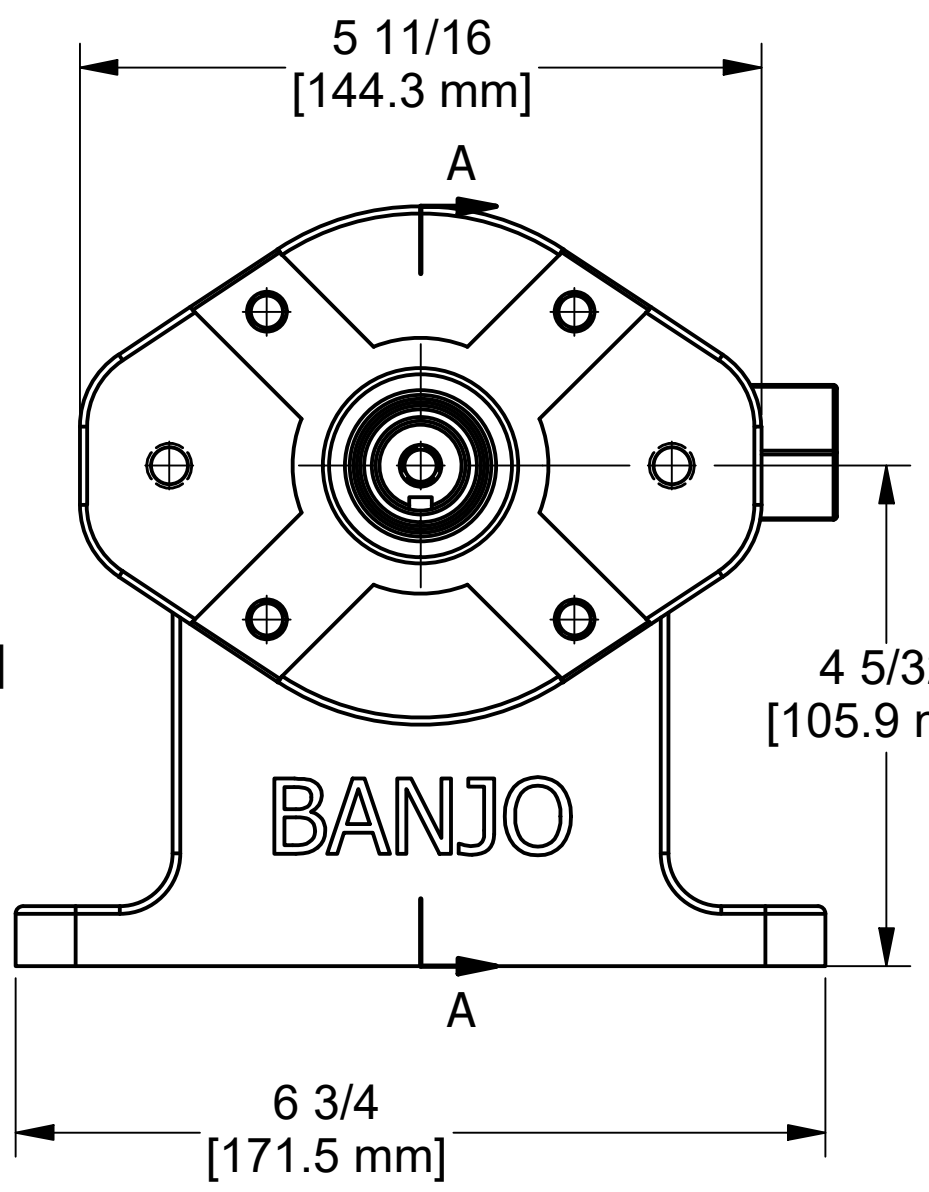


Parts List			
ITEM	QTY	PART NUMBER	DESCRIPTION
1	1	12049F	HYD. MOTOR PEDESTAL
2	1	12055E	HYD. ADAPTER SHAFT
4	2	18010SS	3/8-16 X 1 1/8" HHCS
7	2	V20018	3/8" LOCKWASHER
5	1	HY10131	MGG20025BC1D3 GRESEN HYD MTR
6	1	HY10132	HYD. CHECK VALVE
3	1	17056E	3206 BEARING



SECTION A-A  
SCALE 5/8



THIS DRAWING AND ALL INFORMATION CONTAINED THEREON ARE THE EXCLUSIVE PROPERTY OF BANJO CORPORATION.

UNLESS SPECIFICALLY NOTED, THIS DRAWING AND ITEMS SHOWN ON THIS DRAWING ARE SUBJECT TO CHANGE AT ANY TIME.



**BANJO**  
CORPORATION

BANJO CORPORATION  
 150 BANJO DRIVE, CRAWFORDSVILLE, IN 47933  
 WEB SITE: WWW.BANJOCORP.COM  
 E-MAIL: BANJOSALES@IDEXCORP.COM

DESCRIPTION	2" POLY HYD.ADAPTER ASSY REV B
PART NUMBER	12600B