

SALES & ENGINEERING DATA

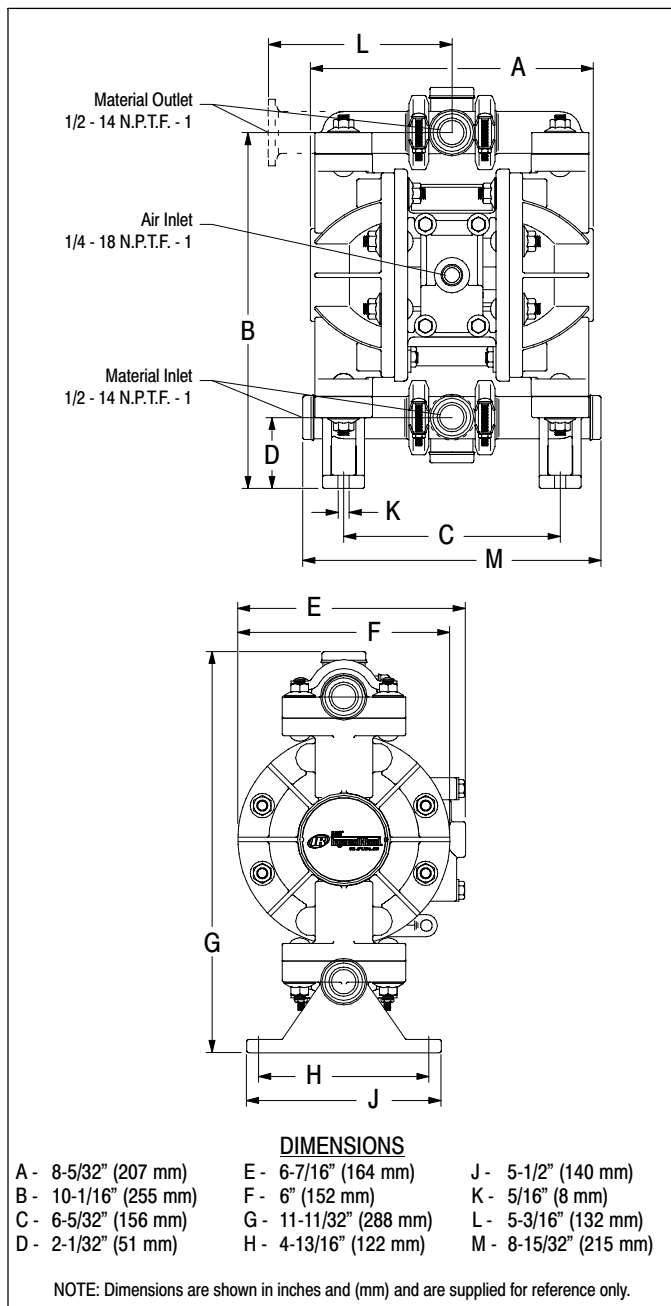
66605X-XXX

1/2" NON-METALLIC DIAPHRAGM PUMP

RATIO SERIES:	1:1
FLUID PSI RANGE:	20 - 100

RELEASED: 1-31-97
 REVISED: 9-25-06
 (REV. D) S-875

DIMENSIONAL DATA



ACCESSORIES:

- 66073-1 Air Line Connection Kit
- 93092 Exhaust Cover*
- 93107 Gasket*
- 93110 Muffler*

* External muffler for piped exhaust applications.

SPECIFICATIONS

CONSTRUCTION

Model Series	66605X-XXX
Pump Type	Non-Metallic, Air Operated, Double Diaphragm ^③
Ratio	1:1
Material Inlet / Outlet (female)	1/2 - 14 N.P.T.F. - 1
Air Inlet (female)	1/4 - 18 N.P.T.F. - 1
Air Exhaust	standard internal optional (female) 3/8 - 18 N.P.T.F. - 1
Weight	Polypropylene 7.2 lbs (3.3 kgs) Groundable Acetal 8.8 lbs (4.0 kgs) Kynar PVDF 5 lbs (4.3 kgs)
Air Section Service Kit	637141
Fluid Section Service Kit	637140-XX

66605X - X
 637140 -
 Diaphragm Material
 Ball Material

EXAMPLE: Model 66605J-3EB
 Fluid Section Service Kit is 637140-EB

PERFORMANCE

Air Inlet Pressure Range	20 - 100 p.s.i. (1.4 - 6.9 bar)
Maximum Material Inlet Pressure	10 p.s.i. (0.69 bar)
Fluid Pressure Range	20 - 100 p.s.i. (1.4 - 6.9 bar)
Maximum Flow Rate (flooded inlet)	ball check 13 g.p.m. (49.2 l.p.m.) duckbill 10 g.p.m. (37.9 l.p.m.)
Maximum Particle Size	ball check 3/32" dia. (2.4 mm) duckbill fibers
Maximum Temperature Limits (diaphragm / ball / seal material)	E.P.R. -60° to 280° F (-51° to 138° C) Groundable Acetal 10° to 180° F (-12° to 82° C) Hytrek -20° to 150° F (-29° to 66° C) Kynar PVDF 10° to 200° F (-12° to 93° C) Neoprene 0° to 200° F (-18° to 93° C) Nitrile 10° to 180° F (-12° to 82° C) Polypropylene 35° to 150° F (2° to 66° C) Polyurethane 10° to 150° F (-12° to 66° C) Santoprene -40° to 225° F (-40° to 107° C) Teflon PTFE 40° to 225° F (4° to 107° C) Viton -40° to 350° F (-40° to 177° C)
Displacement / Cycle @ 100 p.s.i.	ball check 0.040 gal. (0.15 lit.) duckbill 0.032 gal. (0.12 lit.)
Noise Level @ 70 p.s.i. - 60 c.p.m. ^①	71.1 db(A) ^②

Notes:

- ① Tested with 66972 muffler installed.
- ② The pump sound pressure level has been updated to an Equivalent Continuous Sound Level (L_{Aeq}) to meet the intent of ANSI S1. 13-1971, CAGI-PNEUROPS S5.1 using four microphone locations.
- ③ 666056-XXX models are constructed of a groundable acetal. The material's conductivity allows it to be connected to a suitable ground.

PERFORMANCE CURVES

66605X-XXX 1/2" NON-METALLIC DIAPHRAGM PUMP

