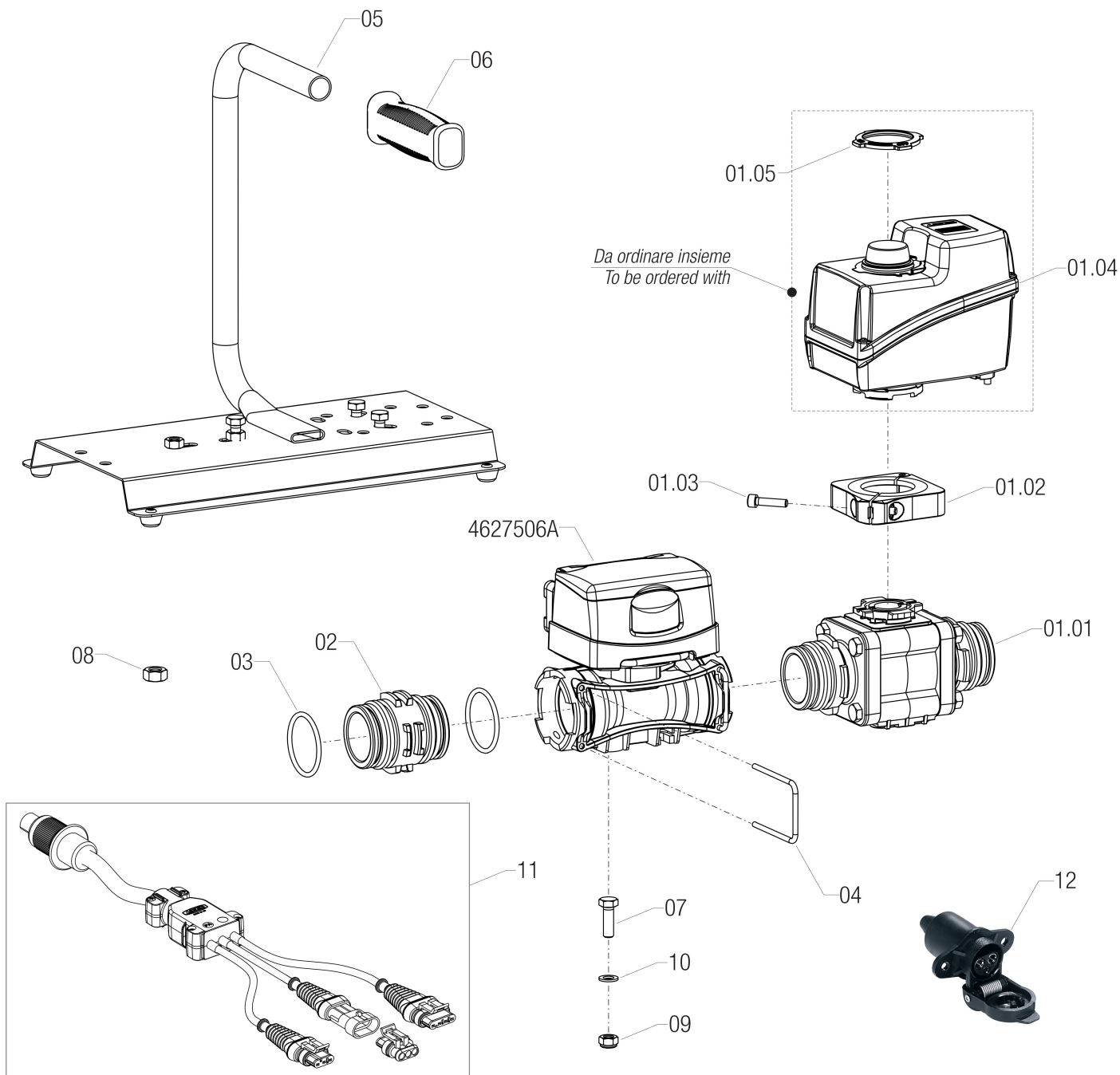


462F451A6

FILLING SYSTEMS

Transportable tank filling system with fork coupling



| REFERENCE | CODE | DESCRIPTION |
|-----------|---------------|-------------------------------------|
| 01.01 | 853K04S66.910 | 2W ELECTR.BALL VALVE T6M PREM. |
| 01.02 | 853700.910 | MOTOR CLAMP KIT |
| 01.03 | V1C24K | SCREW TCEI 6X 25 INOX UNI5931 |
| 01.04 | 8650870 | GEARMOTOR R=1:830,5 POS.IND.ROT.90° |
| 01.05 | 853P00.010 | 2W RING INDICATOR |
| 02 | 259166 | FORK NIPPLE T6M |
| 03 | G11023V | OR 3,53X41,28 VITON |
| 04 | 010006 | FORK D.4 DIST.47 |

| REFERENCE | CODE | DESCRIPTION |
|-----------|---------------|-------------------------------------|
| 05 | 462F0000.010 | TRANSPORT SUPPORT FOR FILLING SYTM. |
| 06 | 002200.151 | KNOB FILLING SYSTEM |
| 07 | V1M25K | SCREW TE 8X25 INOX |
| 08 | B10251 | NUT M 8X13X6,5 UNI5588 * INOX |
| 09 | B12251 | SELF-LOCKING NUT M8 INOX UNI7474 |
| 10 | B202H0 | FLAT WASHER 8,4X15X1,5 INOX |
| 11 | 462F00100.100 | CHARGING SYSTEM CABLE IND.POS. |
| 12 | 466001.010 | SOCKET 3 POLES |