

# INSTRUCTION MANUAL

# MANUALE ISTRUZIONI

# 产品使用手册



**ANNOVI<sup>®</sup>**  
**REVERBERI**  
The Power of Experience

## Technical and Performance Data - Dati tecnici e prestazioni - 技术和性能数据

Model	Delivery rate		Maximum operating pressure		Maximum rpm	Weight	Pump head material	Oil q.ty
Modello	Portata		Pressione massima di esercizio		Numero giri massimo	Peso	Materiale testata	Qtà olio
型号	流量		最大工作压力		最高转速	重量	泵头材质	油量
-	Lt/1"	gpm	bar	psi	rpm	kg	-	kg
RPV 2 G19	7.5	2.00	130	1900	3400	3.5	○	0.03
RQV 2.5 G30	9.5	2.50	205	3000	3400	3.5	■	0.065
RQW 2.5 G30	9.5	2.50	205	3000	3400	3.5	■	0.065
RMV 1.8 G20 D	7.0	1.80	140	2000	3400	2.5	○	0.065
RMV 2 G20 D	7.6	2.00	140	2000	3400	2.5	○	0.065
RMV 2.2 G24 D	8.3	2.20	165	2400	3400	2.5	○	0.065
SRMV 2.2 G26	8.3	2.20	180	2600	3400	4.0	○	0.065
RMV 2.5 G26 D	9	2.50	180	2600	3400	4.0	■	0.065
RMV 2.5 G30 D	9	2.50	205	3000	3400	4.0	■	0.065
RMW 2 G20 D	7.6	2.00	140	2000	3400	3.0	○	0.065
RMW 2.2 G24	8.3	2.20	165	2400	3400	3.0	○	0.065
SRMW 2.2 G26	8.3	2.20	165	2400	3400	3.0	○	0.065
RMW 2.5 G26 D	9	2.50	180	2600	3400	4.5	■	0.065
RMW 2.5 G28 D	9	2.50	190	2800	3400	4.5	■	0.065
RXV 2.5G30	9	2.50	205	3000	3400	4.0	■	0.095
RXV 3G30	11.4	3.00	205	3000	3400	4.0	■	0.095
RXV 3.5G30	13.2	3.50	205	3000	3400	4.0	■	0.095
RS 8.15 N	8	2.10	150	2200	1450	7.0	■	0.30
RS 11.11 N	11	3.00	110	1600	1450	7.0	■	0.30
RS 11.14 N	11	3.00	140	2000	1450	7.0	■	0.30
RS 11.18 N	11	3.00	180	2600	1450	7.0	■	0.30
RS 13.17 N	13	3.40	170	2500	1450	7.0	■	0.30
RS 15.15 N	15	4.00	150	2200	1450	7.0	■	0.30
RS 11.18 C+F16	11	3.00	180	2600	1450	7.0	■	0.30
RS13.17 C+F16	13	3.40	170	2500	1450	7.0	■	0.30
RS 15.15 C+F16	15	4.00	150	2200	1450	7.0	■	0.30
RSV 2.5G25 D+F25	9.5	2.50	170	2500	3400	7.0	■	0.30
RSV 3G30 D+F25	11	3.00	200	3000	3400	7.0	■	0.30
RSV 3G34 D+F40	11	3.00	230	3300	3400	7.0	■	0.30
RSV 3.5G36 D+F40	13	3.40	250	3600	3400	7.0	■	0.30
RSV 3.5G40 D+F40	13	3.40	280	4000	3400	7.5	■	0.30
RSV 4G36 D+F40	15	4.00	250	3600	3400	7.0	■	0.30
RSV 4G40 D+F40	15	4.00	280	4000	3400	7.5	■	0.30

**Please use the designated lubricating oil / Utilizzare il lubrificante specificato / 请使用指定的润滑油**

OIL TYPE / OLIO TIPO / 润滑油型号

RMV - RMW: SAE 75W90

RS - RSV: SAE 15W40

Maximum intake  
liquido temperature

Temperatura massima  
liquido aspirato

进水最高温度

40°C

Aluminum / Alluminio / 铝 - ○

Brass / Ottone / 铜 - ■

## Technical and Performance Data - Dati tecnici e prestazioni - 技术和性能数据

Model	Delivery rate		Maximum operating pressure		Maximum rpm	Weight	Pump head material	Oil q.ty
Modello	Portata		Pressione massima di esercizio		Numero giri massimo	Peso	Materiale testata	Qtà olio
型号	流量		最大工作压力		最高转速	重量	泵头材质	油量
-	Lt/1"	gpm	bar	psi	rpm	kg	-	kg
RC 08.15N	8	2.10	150	2200	1450	5.0	■	0.26
RC 09.15N	9	2.40	150	2200	1450	5.0	■	0.26
RC 10.15N	10	2.70	150	2200	1450	5.0	■	0.26
RC 11.17N	11	3.00	170	2500	1450	5.0	■	0.26
RC 12.17N	12	3.20	170	2500	1450	5.0	■	0.26
RC 13.17N	13	3.40	170	2500	1450	5.0	■	0.26
RC 14.16N	14	3.70	160	2300	1450	5.0	■	0.26
RC-M 01.10N	1	0.26	100	1500	1450	5.0	■	0.26
RC-M 02.10N	2	0.53	100	1500	1450	5.0	■	0.26
RC-M 03.10N	3	0.80	100	1500	1450	5.0	■	0.26
RC-M 04.10N	4	1.06	100	1500	1450	5.0	■	0.26
RC-M 05.10N	5	1.33	100	1500	1450	5.0	■	0.26
RC-M 06.10N	6	1.60	100	1500	1450	5.0	■	0.26
RCA 2.5G25N	9.5	2.50	170	2500	1750	5.0	■	0.26
RCA 3G25N	11	3.00	170	2500	1750	5.0	■	0.26
RCA 3.5G25N	13	3.40	170	2500	1750	5.0	■	0.26
RC-M 02.10C+F48	2	0.50	100	1450	1450	5.5	■	0.26
RC-M 04.10C+F48	4	1.06	100	1450	1450	5.5	■	0.26
RC 06.15C+F6	6	1.60	150	2200	1450	5.5	■	0.26
RC 08.15C+F6	8	2.10	150	2200	1450	5.5	■	0.26
RC 09.15C+F6	9	2.40	150	2200	1450	5.5	■	0.26
RC 11.17C+F6	11	3.00	170	2500	1450	5.5	■	0.26
RC 12.10C+F44	12	3.20	100	1500	1450	5.5	■	0.26
RC 13.17C+F44	13	3.40	170	2500	1450	5.5	■	0.26
RC 14.16C+F44	14	3.70	150	2200	1450	5.5	■	0.26
RCA 2G22E+F8	7.5	2.00	150	2200	1750	5.5	■	0.26
RCA 3G18E+F8	11	3.00	125	1800	1750	5.5	■	0.26
RCA 3.5G16E+F8	13	3.40	110	1600	1750	5.5	■	0.26
RCV 2G22D+F7	7.5	2.00	150	2200	3400	5.5	■	0.26
RCV 2.5G25D+F7	9.5	2.50	170	2500	3400	5.5	■	0.26
RCV 3G25D+F7	11	3.00	170	2500	3400	5.5	■	0.26
RCV 3.5G20D+F7	13	3.40	140	2000	3400	5.5	■	0.26

**Please use the designated lubricating oil / Utilizzare il lubrificante specificato / 请使用指定的润滑油**

OIL TYPE / OLIO TIPO / 润滑油型号

RC, RCA, RCV: SAE 15W40

Maximum intake  
liquido temperature

Temperatura massima  
liquido aspirato

进水最高温度

40°C

Brass / Ottone / 铜 - ■







## Technical and Performance Data - Dati tecnici e prestazioni - 技术和性能数据

Model	Delivery rate		Maximum operating pressure		Maximum rpm	Weight	Pump head material	Type/Oil q.ty
Modello	Portata		Pressione massima di esercizio		Numero giri massimo	Peso	Materiale testata	Tipo/Qtà olio
型号	流量		最大工作压力		最高转速	重量	泵头材质	型号/油量
-	Lt/1"	gpm	bar	psi	rpm	kg	-	kg
XM 11.17N	11	2.90	170	2500	1450	6.5	■	△ 0.415
XM 13.17N	13	3.43	170	2500	1450	6.5	■	△ 0.415
XM 15.15N	15	3.96	150	2200	1450	6.5	■	△ 0.415
XM 11.17C	11	2.90	170	2500	1450	6.5	■	△ 0.415
XM 13.17C	13	3.43	170	2500	1450	6.5	■	△ 0.415
XM 15.15C	15	3.96	150	2200	1450	6.5	■	△ 0.415
SXM 13.20N	13	3.43	200	2900	1450	6.5	■	△ 0.415
SXM 15.20N	15	3.96	200	2900	1450	6.5	■	△ 0.415
SXM 13.20C	13	3.43	200	2900	1450	6.5	■	△ 0.415
SXM 15.20C	15	3.96	200	2900	1450	6.5	■	△ 0.415
RK 15.28HN	15	3.96	275	4000	1450	9.5	▲	△ 0.435
RK 18.28HN	18	4.75	275	4000	1450	9.5	▲	△ 0.435
RK 21.10N	21	5.55	100	1450	1450	9.0	▲	△ 0.435
RK 21.20HN	21	5.55	200	2900	1450	9.5	▲	△ 0.435
RK 21.40N	24	6.34	100	1450	1450	9.0	■	△ 0.435
RK 21.15HN	24	6.34	150	2200	1450	9.5	▲	△ 0.435
RK 21.10C	21	5.55	100	1450	1450	9.0	■	△ 0.435
RK 21.15HC	21	5.55	150	2200	1450	9.0	▲	△ 0.435
RKV 4G40HD+F41	15.1	4.00	275	4000	3400	10.5	▲	△ 0.415
RKV 5.5G40HD+F41	20.8	5.50	275	4000	3400	10.5	▲	△ 0.415

**Please use the designated lubricating oil / Utilizzare il lubrificante specificato / 请使用指定的润滑油**

OIL TYPE / OLIO TIPO / 润滑油型号

▲ SAE 15W40

Maximum intake  
liquido temperature

Temperatura massima  
liquido aspirato

进水最高温度

40°C

Brass Nickel Plated / Ottone Nichelato / 黄铜镀镍 - ▲

Brass / Ottone / 铜 - ■



# LANGUAGE INDEX

Indice Lingue

语言目录

1	-----	ENGLISH	EN
20	-----	ITALIANO	IT
39	-----	中文	CN





## SUMMARY

1	GENERAL INFORMATION .....	2
2	TECHNICAL INFORMATION .....	4
3	SAFETY INFORMATION .....	7
4	HANDLING AND TRANSPORT INSTRUCTIONS.....	8
5	INSTALLATION INSTRUCTIONS .....	9
6	INSTRUCTIONS FOR USE .....	12
7	MAINTENANCE INSTRUCTIONS.....	14
8	TROUBLESHOOTING.....	18

## TABLE OF CONTENTS

A		R	
After-Sales service procedures .....	3	Residual risks .....	4
Annexed documentation .....	3	S	
C		Safety recommendations for handling and lifting ...	8
Changing the oil.....	16	Safety recommendations for installation.....	9
Checking the oil level.....	16	Safety recommendations for maintenance.....	14
Connection to an auxiliary pump (force-feed).....	11	Safety recommendations for use .....	12
Connection to a tank (gravity-feed) .....	11	Scrapping the pump.....	17
Connection to the mains water supply .....	10	Starting and stopping the pump when supplied by an auxiliary pump.....	13
D		Starting and stopping the pump when supplied by gravity-feed .....	12
Declaration of incorporation.....	6	Starting and stopping the pump when supplied by the mains water system.....	12
Disclaimer .....	3	Storage.....	8
E		T	
Environmental operating limits .....	5	Table of lubricants .....	15
G		Technical Data.....	5
General description .....	4	Transport.....	8
General guidelines on water supply connection ...	10		
General safety rules .....	7		
Glossary .....	3		
I			
Inspecting the connections and pipes.....	16		
Inspecting the Filter.....	16		
Inspecting the pump mounting .....	16		
Installation.....	9		
Intended uses.....	4		
L			
Lengthy pump lay-offs .....	17		
M			
Main components .....	4		
Misuses.....	4		
Mounting the pump .....	9		
O			
Overall dimensions .....	5		
P			
Packaging description and unpacking.....	8		
Pump and manufacturer identification .....	2		
Purpose of the manual .....	2		
Putting the pump back into service .....	17		



## Purpose of the manual

The manufacturer has provided this manual to provide the operating instructions and the criteria to be complied with when installing, using and maintaining the pump identified by designation on the cover.

The manufacturer supplies the original instructions in english language.

The manufacturer may supply the original instructions in other languages in response to statutory or commercial requirements.

If the pump is sold, the seller must pass on this manual to the new owner along with the appliance.

The instructions are intended for the skilled, suitably trained operators who carry out the installation and routine maintenance procedures.

Refer to the table of contents for rapid access to the topics covered.

The manufacturer reserves the right to amend the manual without notice, unless the amendments refer to the pump's level of safety.

The purchaser must ensure that the installation is designed in accordance with the instructions in this manual, statutory requirements, and the relevant national and local regulations.

The technical instructions in this "Use and Installation Manual" are the property of the manufacturer and must be treated as confidential.

There may be differences between the illustrations and the pump's actual conformation, but any such differences will not affect the clarity of the instructions. If in doubt, request the necessary explanations from the manufacturer.

The symbols shown and described below are used to identify safety risks or important information.



### Danger - Warning

**Identifies information or procedures the failure to comply with which may constitute a serious threat to health and safety.**



### Caution

**Identifies information or procedures the failure to comply with which may constitute a threat to health and safety or cause damage.**



### Information

**Identifies useful and important information or procedures which should be borne in mind.**

## Pump and manufacturer identification

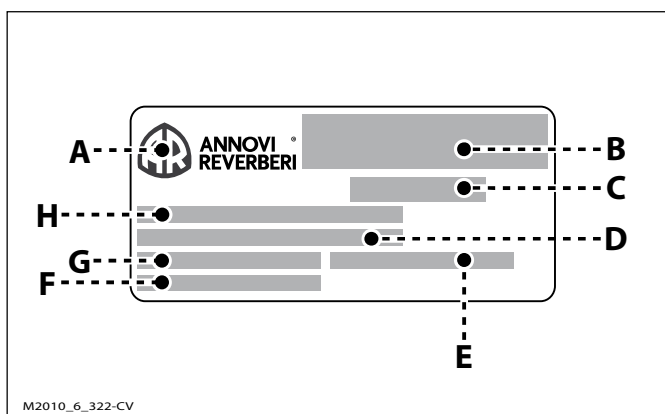
### Data plate

The data plate shown here, containing essential information for safe operation, is affixed to every pump.

- A) Manufacturer's logo
- B) Serial number barcode
- C) Model
- D) Maximum pressure (bar or psi)
- E) Serial number
- F) Lubricant specifications
- G) Maximum rpm
- H) Maximum delivery rate (l/min or U.S. gpm)

### Manufacturer

Annovi Reverberi Spa  
Via Martin Luther King, 3  
41122 Modena (MO) - Italy





### After-Sales service procedures

---

To request after-sales service (in the event of a pump malfunction or failure, etc.) contact your nearest service centre or the manufacturer.

When requesting after-sales services, always state the pump's data plate data and the type of problem.

---

### Disclaimer

---

The manufacturer accepts no liability arising from:

- incorrect installation;
  - improper use of the pump;
  - failure to service the pump;
  - unauthorised modifications and/or repairs;
  - use of non-original spare parts, or parts not specifically intended for the model.
- 

### Annexed documentation

---

The following documentation is issued to the Customer together with this manual:

- declaration of incorporation
- 

### Glossary

---

**Purchaser:** individual, organisation or company which has purchased the pump and intends to use it for the intended purposes.

**Routine maintenance:** all operations required to keep the pump in good working order, to ensure a longer working life and maintain compliance with safety requirements. The manufacturer describes the maintenance procedures and intervals in this "Use and Installation Manual".

**Repairs:** all operations performed to conserve the pump's efficiency and operating characteristics. These procedures, required in the event of an unexpected malfunction, must only be carried out by a skilled technician. The information for the use of skilled repair technicians only is provided in the "Repairs Manual".

**Operator:** authorised person having the prerequisites, skills and information needed for use of the pump or the machine or plant on which the pump is installed, and for routine maintenance procedures.

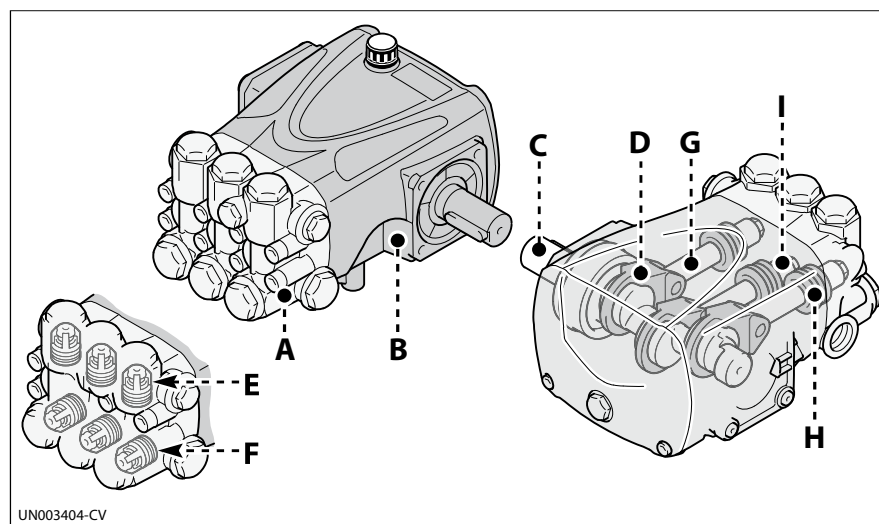
**Installer:** authorised technician having the prerequisites and the specific skills required for the tasks involved in the installation of the pump and/or similar machinery and for the performance of the routine maintenance operations in conditions of safety, independently and without risk.

**Training:** a phase necessary to transfer to the operators the knowledge needed for the correct, risk-free performance of operations.

## General description

The pump is designed and constructed to pump and compress liquids at high pressure in industrial applications. The pumping action is provided by a series of pistons connected to the drive shaft by connecting-rods. When in operation, the pistons perform an axial stroke inside the head, where the intake and delivery ducts are fitted with valves which allow the liquid to pass in one direction only.

## Main components



- A) Head
- B) Pump body
- C) Crankshaft
- D) Connecting-rod
- E) Delivery valve
- F) Intake valve
- G) Piston guide
- H) Guide piston
- I) Piston

## Intended uses

The pump is designed and built for incorporation in machinery and plants (machinery for washing raw materials, finished products, etc.).

The pump must be used in a manner appropriate to its technical data (see "Technical Data"), and must not be modified or improperly used.

## Misuses

**Do not** put the pump into service until the plant or machinery in which it is incorporated has been declared compliant with the relevant national and local legal requirements.

**Do not** use the pump in a potentially explosive atmosphere.

**Do not** use the pump for flammable, toxic or corrosive liquids, or those with unsuitable density. Do not take in liquids at temperatures higher than those specified in the technical data.

**Do not** use the pump for the supply of drinking water.

**Do not** use the pump on products for human consumption.

**Do not** use the pump on pharmaceutical products.

## Residual risks

Even if the safety regulations and information provided in the manual is complied with, the residual risk described below is still present during use of the pump.

- **Thermal hazard:** depending on the temperature of the liquid pumped, the pump may reach high temperatures when in operation. The designer of the installation must therefore bear this in mind and provide the appropriate measures and warning signs for staff.



---

### Technical Data

---

The technical and performance data are stated on the cover.

The pump's intake circuit must include a filter having capacity at least twice the pump's delivery rate, which must not cause restrictions or headlosses. The recommended degree of filtration is 50÷80 mesh. Maximum intake vacuum - 0.25 bar, measured at the pump intake.

---

### Overall dimensions

---

The illustrations showing the overall dimensions are provided in the **annexes**.

---

### Environmental operating limits

---

The pump operates correctly at an ambient temperature between 10 and 35 °C, with relative humidity of 80%.



**Declaration of incorporation**

The illustration shows a copy of the declaration of incorporation, the original of which is issued by the manufacturer together with this manual.



**DECLARATION OF INCORPORATION**

(Ann. IIB. DIR. 2006/42/EC)

**THE MANUFACTURER**

**ANNOVI REVERBERI S.p.A**

**Via Martin L. King,3 41122 Modena (ITALY)**

**DECLARES THAT THE PARTLY COMPLETED MACHINERY**

**HIGH PRESSURE PUMP  
SERIAL NUMBER: XXXX  
YEAR OF CONSTRUCTION:XXXX**

complies with the following applied essential requirements: (1.3.1 - 1.3.2 -1.3.3 - 1.3.4 - 1.3.5 -1.3.6 - 1.3.7)

Conforms to Community Directives: EN 60335-2-79 EN809

The relevant technical documentation has been compiled in compliance with annex VIIB and we hereby undertake to transmit, in response to a reasoned request by the national authorities, relevant information on the partly completed machinery.

**FORBIDS**

The putting into service of the aforesaid partly completed machinery until the final machinery into which it is to be incorporated has been declared in conformity with the provisions of Directive 2006/42/EC.

The person authorised to compile the relevant technical documentation:  
Stefano Reverberi, c/o Annovi Reverberi S.p.a. via Martin L. King, 3

Modena  
07/04/2010

The Manufacturer  
**Stefano Reverberi**  
Managing Director

EN



### General safety rules

---

Most workplace accidents and injuries are caused by carelessness and failure to comply with common sense and safety rules.

In most cases, accidents can be avoided by predicting their possible causes and proceeding with the necessary care and attention.

A careful operator who follows the rules is the best guarantee against accidents.

Before installing and using the pump, the operators and other staff must read and understand the instructions in the manual provided and the details of the installation design.

Do not tamper with, disarm or bypass the safety devices as this may cause serious threats to health and safety.

Do not release pollutants into the environment.

Dispose of waste in accordance with statutory requirements.

Before performing any procedure, adopt appropriate safety measures in accordance with the relevant statutory occupational safety requirements and comply with the safety regulations in the manual.



---

### Safety recommendations for handling and lifting

---

**Before starting the operations, organise the intended working area so that the materials can be lifted and handled in safety.**

**Unloading, loading, handling and lifting operations must be carried out by skilled, authorised, specifically trained staff.**

**During lifting and handling operations, the people not involved in the operations must remain at a safe distance.**

**For lifting, use hooks and ropes which are free from damage and appropriate for the load to be lifted.**

---

### Packaging description and unpacking

---

The packaging normally consists of a cardboard box for easy, safe transport.

Depending on the quantity of goods to be shipped and the place of destination, packages may be fixed on a pallet for easier lifting and handling.

Check the weight of the item on the transport documents to allow the use of suitable lifting equipment.

When unpacking, check that all components are present and intact. If items are missing or damaged, contact the dealer or manufacturer to agree the procedures to be followed.

The packaging material must be disposed of appropriately in accordance with the relevant statutory requirements.

---

### Transport

---

The pump may be shipped by a variety of means of transport (road, rail, sea or air) depending on its destination. Secure the packaging firmly to the vehicle during transport, to prevent random movement.

---

### Storage

---

In the event of a lengthy period out of use, place the pump (in its packaging if possible, or otherwise protected) under cover, protected from the weather.

Do not store in places where the ambient conditions might impair the pump's operating condition over time.

The manufacturer delivers the pump with an anti-corrosion treatment valid for 1 month from the date of supply.





## Safety recommendations for installation

Take all possible precautions to allow the pump to be installed in a safe, risk-free manner.

All installation phases must be taken into consideration when designing the machinery or plant in which the pump is to be installed.

The design must consider all mounting points, the means of transmission of the energy sources, and the protective and safety devices required by the relevant regulations to prevent the risk of injury.

## Installation

The mechanical connection between the pump and the motive power source may be made by means of a pulley and belt, or a flexible coupling, or through a direct flanged connection to the motive power source.

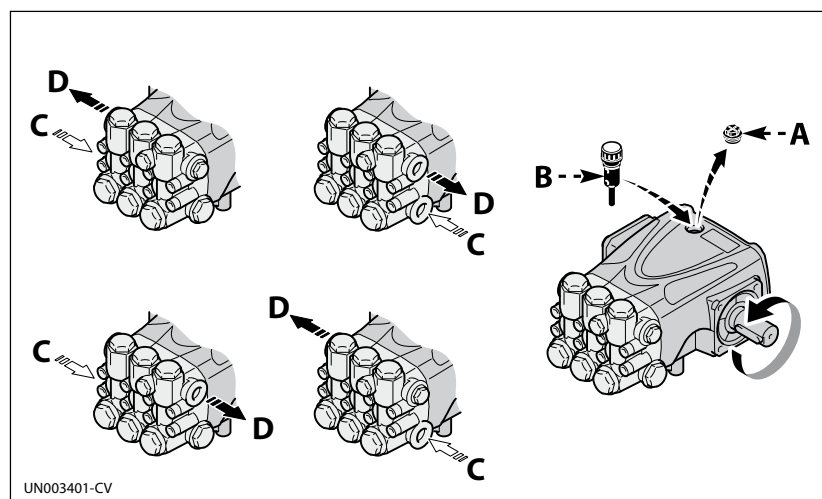
The crankshaft may turn in either direction.

The water supply connection can be made equally well to the intakes on the right or left of the pump (see diagram).

Only connect the pump to filtered, clean water sources.

Unscrew the plugs fitted on the various ports in the factory by the manufacturer, and screw the plugs onto the ports not used, depending on connection requirements.

Replace the oil plug (A), used for shipment with the breather plug (B) supplied.



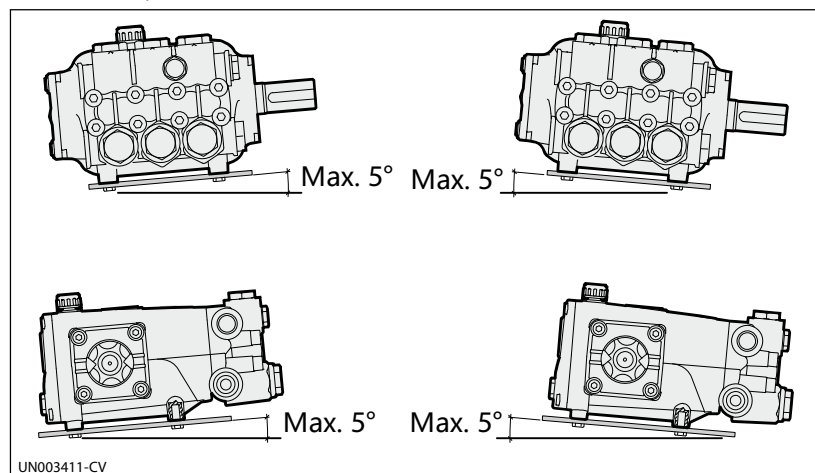
- A) Temporary oil plug
- B) Oil plug with breather
- C) Intake port
- D) Delivery port

## Mounting the pump

The pump must be installed on a horizontal surface with no flexible components between it and the mounting surface.

The illustration shows the maximum permitted pump installation angle beyond which proper lubrication of the crank mechanism is not ensured.

Secure the pump with screws of suitable diameter and length, fixing them through the holes provided in the pump body.



## General guidelines on water supply connection

The pump's water supply connection can be made in one of the ways listed below.

- Connection to the mains water supply.
- Connection to a tank (gravity-feed).
- Connection to an external pump (force-feed).

The following requirements must be met for all types of connection.

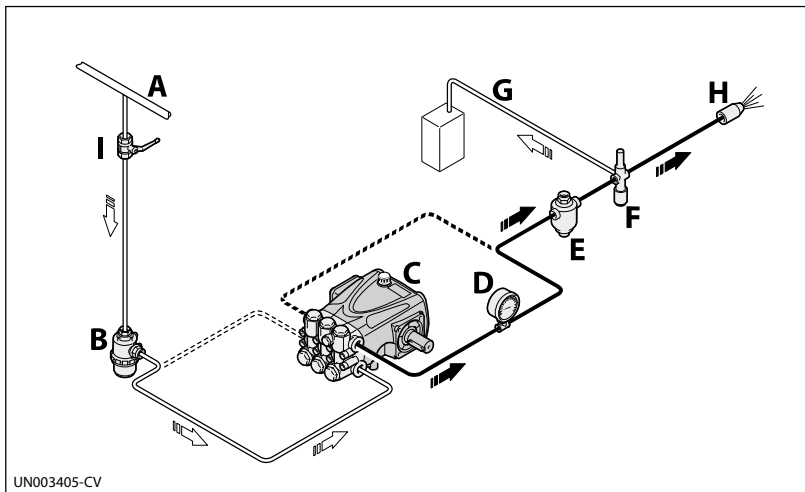
- 1) The pump must be supplied by means of a crush-proof hose of suitable diameter for the pump's intake connection (see "Technical Data").
- 2) There must be no restrictions or kinks in the hose.
- 3) A suitable filter must be installed at the pump intake (see "Technical Data").
- 4) All connections between the unions and the intake line must be sealed to prevent the pump from sucking in air.
- 5) The connections and pipes must be suitable for the operating pressure and the pump delivery rate, and must comply with the relevant regulations.
- 6) To ensure operating safety install a relief valve (by-pass valve) suitable for the pump's technical data and with a suitable setting downstream of the pump.
- 7) The relief valve dump line must never be connected to the pump intake line.
- 8) Install a pressure damper downstream of the pump to minimise the water hammer effect in the delivery pipeline.

## Connection to the mains water supply

The connection must comply with the recommendations provided.

- 1) The mains water system must have a flow rate twice the pump's rated delivery rate and a pressure of 2 - 3 bar.
- 2) Adopt all the precautions described in the "General Guidelines on Water Connections" section.

The following is a simplified illustration of the layout for connection of the pump to the mains water supply.



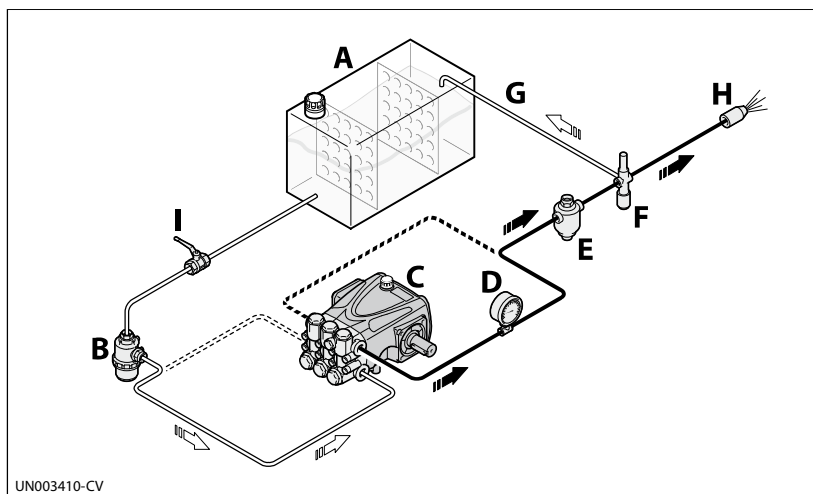
- A) Mains water supply
- B) Intake filter
- C) High pressure pump
- D) Pressure gauge
- E) Pressure damper
- F) Relief valve (by-pass valve)
- G) Dump pipeline
- H) Nozzle
- I) Shut-off valve

## Connection to a tank (gravity-feed)

The connection must comply with the recommendations provided.

- 1) The pump must be installed in a position below the tank intake (with positive head).
- 2) The tank must have baffles to prevent water splashes and its capacity must be at least 10 times greater than the pump's rated displacement.
- 3) The vacuum measured directly at the pump intake port must not exceed 0.1 bar and the water temperature must not be above 30 °C.
- 4) Adopt all the precautions described in the "General Guidelines on Water Connections" section.

The following is a simplified illustration of the layout for connection of the pump to a tank.



- A) Tank
- B) Intake filter
- C) High pressure pump
- D) Pressure gauge
- E) Pressure damper
- F) Relief valve (by-pass valve)
- G) Dump pipeline
- H) Nozzle
- I) Shut-off valve

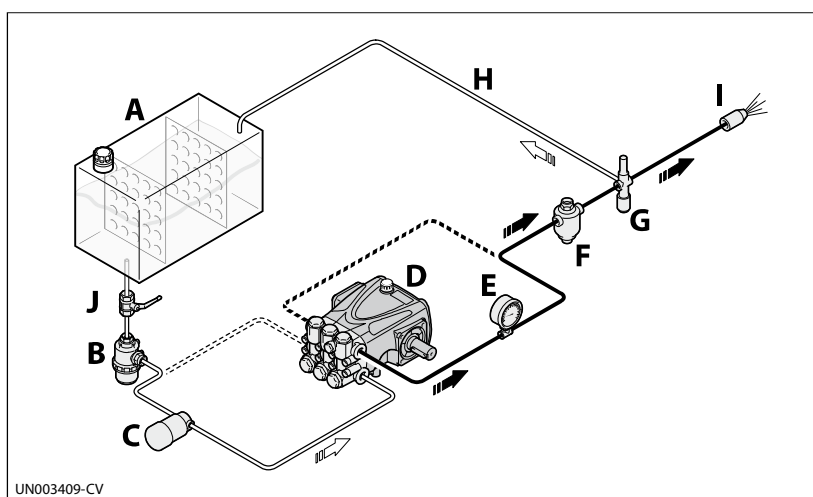
UN003410-CV

## Connection to an auxiliary pump (force-feed)

The connection must comply with the recommendations provided.

- 1) The auxiliary pump must have a flow rate twice the high pressure pump's rated delivery rate and an operating pressure of 2 - 3 bar.
- 2) Adopt all the precautions described in the "General Guidelines on Water Connections" section.

The following is a simplified illustration of the layout for connection of the pump to an auxiliary pump.



- A) Tank
- B) Intake filter
- C) Auxiliary pump
- D) High pressure pump
- E) Pressure gauge
- F) Pressure damper
- G) Relief valve (by-pass valve)
- H) Dump pipeline
- I) Nozzle
- J) Shut-off valve

UN003409-CV

## Safety recommendations for use

**Before start-up, the operator must perform the necessary safety checks.**

**In the event of leaks from the pressurised pipes, stop the pump at once and remove the cause of the leak.**

**Do not operate the pump above the limits set by the manufacturer to increase its performance.**

**If the system is to be shut down with ambient temperatures close to 0 °C, run the pump without water for 10 seconds with the end of the delivery pipeline open to empty the system and pump of water and prevent ice from forming.**

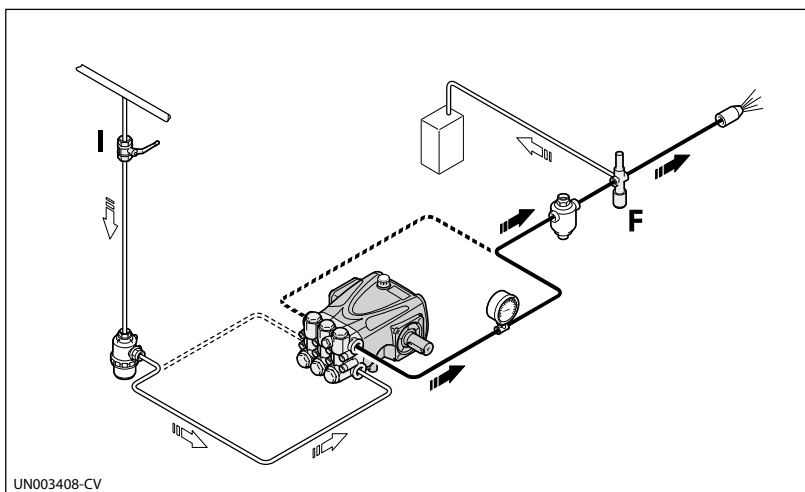
## Starting and stopping the pump when supplied by the mains water system

To start the pump, proceed as described below.

- 1) Open the shut-off valve (I).
- 2) Open the by-pass valve (F) to depressurise the delivery pipeline.
- 3) Start the pump and run it for a few minutes with no pressure.
- 4) Adjust the by-pass valve (F) to obtain the pump's operating pressure.

To stop the pump, proceed as described below.

- 1) Open the by-pass valve (F) to discharge the pressure.
- 2) Stop the pump.
- 3) Close the shut-off valve (I).



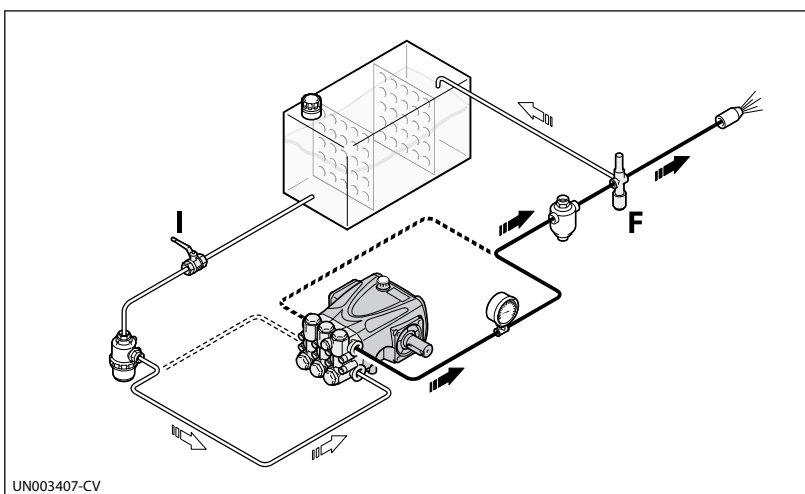
## Starting and stopping the pump when supplied by gravity-feed

To start the pump, proceed as described below.

- 1) Open the shut-off valve (I).
- 2) Open the by-pass valve (F) to depressurise the delivery pipeline.
- 3) Start the pump and run it for a few minutes with no pressure.
- 4) Adjust the by-pass valve (F) to obtain the pump's operating pressure.

To stop the pump, proceed as described below.

- 1) Open the by-pass valve (F) to discharge the pressure.
- 2) Stop the pump.
- 3) Close the shut-off valve (I).





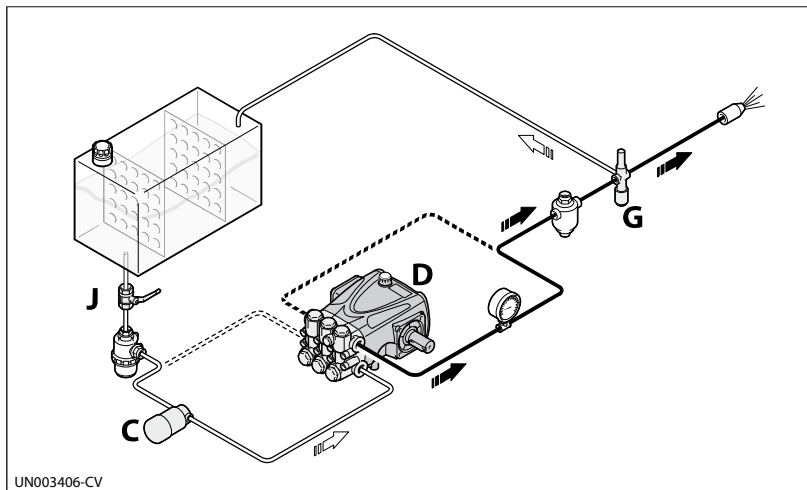
## Starting and stopping the pump when supplied by an auxiliary pump

To start the pump, proceed as described below.

- 1) Open the shut-off valve (**J**).
- 2) Open the by-pass valve (**G**) to depressurise the delivery pipeline.
- 3) Start the auxiliary pump (**C**).
- 4) Start the pump (**D**) and run it for a few minutes with no pressure.
- 5) Adjust the by-pass valve (**G**) to obtain the pump's operating pressure.

To stop the pump, proceed as described below.

- 1) Open the by-pass valve (**G**) to discharge the pressure.
- 2) Stop the pump (**D**).
- 3) Stop the auxiliary pump (**C**).
- 4) Close the shut-off valve (**J**).





## Safety recommendations for maintenance

Before doing any maintenance work, depressurise the water system and isolate the pump from all energy sources.

When the jobs are done, before restarting the pump, check that no tools, rags or other materials have been left close to moving parts or in hazardous zones.

Replace any excessively worn components with original parts and use the lubricants recommended by the manufacturer.

Dispose of the worn-out components and lubricants in accordance with the relevant statutory requirements.

Carry out the routine maintenance procedures specified by the manufacturer to keep the pump safe and performing well.

Scheduled service table			
Frequency	Component	Procedure	Reference
Every working day	Filter	Inspect filter cartridge	See "Inspecting the filter"
	Pump	Oil level check	See "Checking the oil level"
Every 50 working hours	Connection of pump to power source (pulley, belt, coupling)	Inspection	-
	Pump	Inspect mounting	See "Inspecting the pump mounting"
	Pipes and connections	Inspection	See "Inspecting the connections and pipes"
	Pump	Oil change (1)	See "Changing the oil"
Every 500 working hours or every year	Pump	Oil change	See "Changing the oil"
Every 1000 working hours	Pump gaskets	Replacement	Contact an authorised service centre
	Valves	Replacement	Contact an authorised service centre

(1) This interval refers to the first oil change only

EN



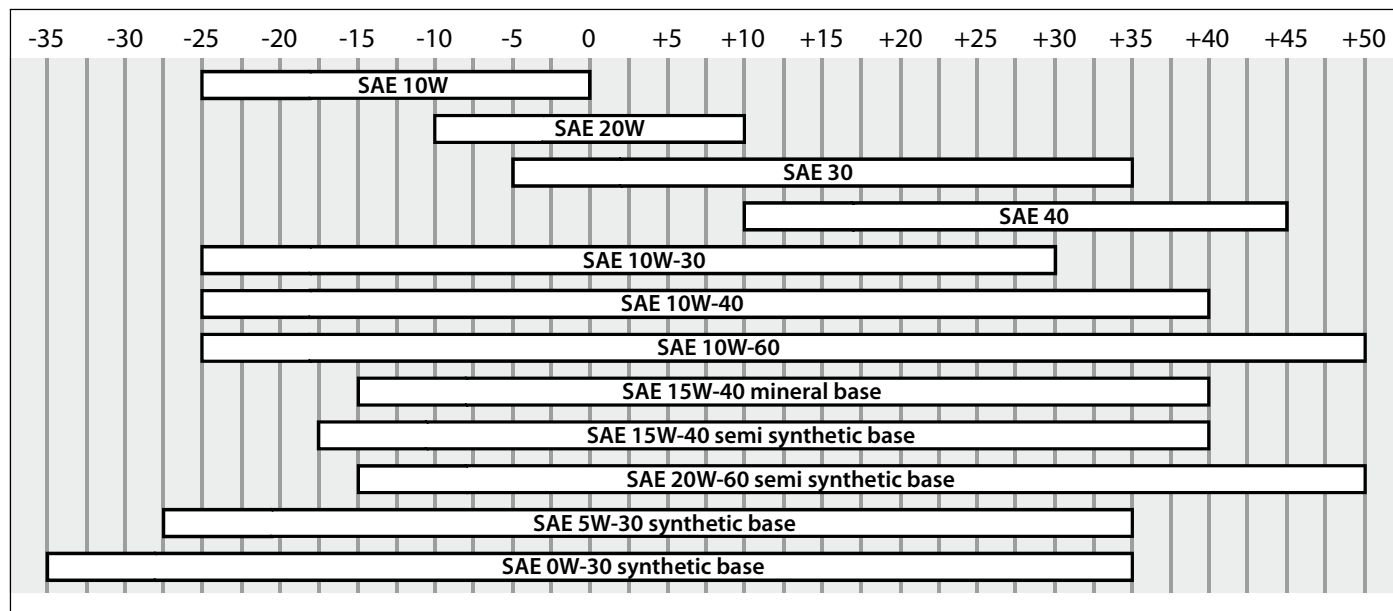
## Table of lubricants

The pump is delivered complete with oil, with the characteristics stated on the data plate.

When changing the oil, use an oil suitable for conditions in the operating environment (see recommendations provided in the annexes and see "Environmental operating limits").

The correct lubricating oil viscosity depends on the external temperature.

Use the graph to select the degree of viscosity best suited to the temperatures of use.



EN

**Inspecting the pump mounting**

Check that the pump's fixing screws have not become loose.

If necessary, tighten them with the driving torque stated in the installation design.

**Inspecting the connections and pipes**
**- Inspect the connections for leaks.**

Leaks can normally be dealt with by tightening the connections properly.

If leaks from the intake pipeline connections are noticed, the seals must be repaired.

**- Inspect the hoses.**

If the pipes show signs of aging, breakage, swelling, rubbing, etc., they must be replaced.

**Inspecting the Filter**
**- Inspect the filter cartridge.**

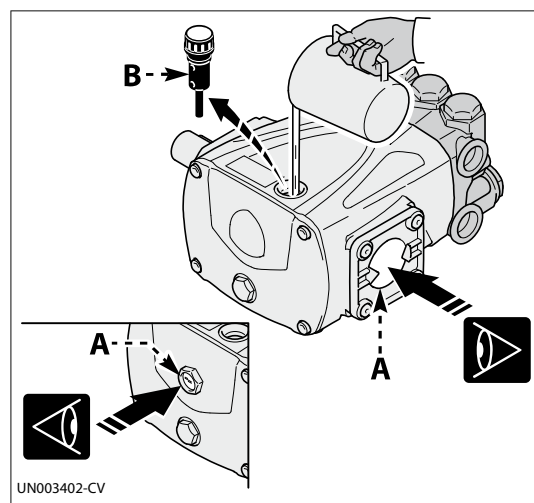
If the filter cartridge is fouled or damaged, refer to the filter manufacturer's instructions for details of how to restore the filter cartridge to its original filtering condition.

**Checking the oil level**

- Check the oil with the pump level and cold.
- Check the amount of oil through the level gauge (A).
- If necessary, top up with oil with the characteristics specified in the "Lubricants table".

To top up with oil proceed as described below.

- 1) Unscrew the plug (B) and pour oil in until it is halfway up the level gauge (A).
- 2) Screw on the plug (B).


**EN**
**Changing the oil**

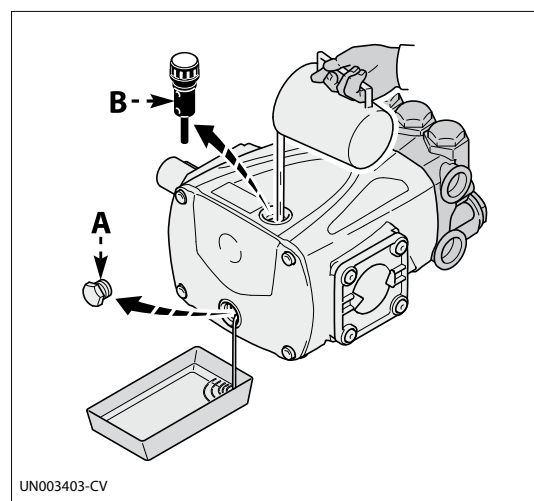
**Position the machine in which the pump is incorporated perfectly level, with the pump slightly warm.**

**Do not release oil into the environment.**

**Dispose of spent oil in accordance with statutory requirements.**

To change the oil, proceed as described below.

- 1) Position a receptacle of suitable capacity to collect the spent oil.
- 2) Unscrew the drain plug (A) and allow all the oil to flow out.
- 3) Screw on the drain plug (A).
- 4) Unscrew the filler plug (B).
- 5) Pour in the fresh oil through the filler hole until the correct level is reached (see "Checking the oil level").
- 6) Screw on the filler plug (B).







---

### **Lengthy pump lay-offs**

---

If the pump is to be unused for a long time, proceed as described below.

- 1) Run the pump with clean water for a few minutes.
  - 2) Operate the pump without water for 10 seconds with the end of the delivery pipeline open to empty the pump and the delivery circuit and prevent scaling.
  - 3) Flush the pump with water and solvents authorised by the relevant laws.
  - 4) Dry the pump with a pressurised air jet.
  - 5) Protect the pump from weather.
- 

### **Putting the pump back into service**

---

Before putting the pump back into service after a long period out of use, check the oil level and the tightness of the mounting screws.

---

### **Scrapping the pump**

---

The pump must be scrapped by skilled staff, in compliance with the statutory requirements on occupational safety.

The dismantled components must be sorted by the type of materials from which they are made. Do not dump pollutants such as seals and lubricants in the environment.

Dispose of them in accordance with statutory requirements with regard to waste disposal and recycling.



The information provided is intended to provide guidance on how to deal with malfunctions which may occur during use.

Some of these procedures may be carried out by skilled staff, while others have to be performed at specialised service centres since they require the use of specific equipment as well as detailed knowledge of repair operations.

Problem	Cause	Remedy
Pump does not reach the specified pressures	Pump sucking air	Restore the tightness of the intake line
	Intake flow rate insufficient	Increase the size of the intake pipelines
		Remove any kinks from the pipes
		Increase the filter capacity or clean the filter cartridge
		Increase the rpm to the rated speed
	Worn intake and delivery valves	Replace the valves <b>(1)</b>
	By-pass valve seat worn	Replace the valve
	Worn gaskets	Replace the gaskets <b>(1)</b>
Unsuitable, worn nozzle	Replace nozzle	
Irregular variations in pressure	Worn intake and delivery valves	Replace the valves <b>(1)</b>
	Valves blocked by dirt	Clean the valves <b>(1)</b>
	Air being sucked into system	Restore the tightness of the intake pipeline connections
	Worn gaskets	Replace the gaskets <b>(1)</b>
Vibrations on pipes	Valves jammed	Replace the valves <b>(1)</b>
	By-pass valve malfunction	Replace the by-pass valve
	By-pass valve dump line too small	Increase size of by-pass valve dump line
	Pressure damper flat	Restore pressure damper to correct inflation pressure
	Pump sucking air	Restore the tightness of the intake line
Pressure drop	Nozzle worn	Replace nozzle
	Worn intake and/or delivery valves	Replace the valves <b>(1)</b>
	Valves blocked by dirt	Clean the valves <b>(1)</b>
	By-pass valve seat worn	Replace the valve
	Worn gaskets	Replace the gaskets <b>(1)</b>

**(1)** Operations which must be carried out at an authorised service centre

EN



<b>Problem</b>	<b>Cause</b>	<b>Remedy</b>
Pump noisy	Air being sucked into system	Restore the tightness of the intake pipeline connections
	Intake and/or delivery valve springs broken or collapsed	Replace the valves <b>(1)</b>
	Valves blocked by dirt	Clean the valves <b>(1)</b>
	Worn bearings	Replace the bearings <b>(1)</b>
	Intake liquid temperature too high	Reduce liquid temperature
Pump overheating	High pump operating pressure	Reduce the pressure to the rated values
	Drive belts too taut	Restore correct belt tension
	Pulley or drive coupling alignment poor	Restore the correct alignment
Water in oil	Guide piston gaskets worn	Replace the gaskets <b>(1)</b>
	High humidity percentage in air	Change the oil twice as often (than stated in "Routine Maintenance" table)
	Worn gaskets	Replace the gaskets <b>(1)</b>
Oil leaks from dump lines underneath the pump	Worn gaskets	Replace the gaskets <b>(1)</b>
	Worn pistons	Replace the pistons <b>(1)</b>
Oil leaks from dump lines underneath the pump	Guide piston gaskets worn	Replace the gaskets <b>(1)</b>

**(1)** Operations which must be carried out at an authorised service centre



## SOMMARIO

1	INFORMAZIONI GENERALI .....	21
2	INFORMAZIONI TECNICHE .....	23
3	INFORMAZIONI SULLA SICUREZZA .....	26
4	INFORMAZIONI SULLA MOVIMENTAZIONE E TRASPORTO.....	27
5	INFORMAZIONI SULL'INSTALLAZIONE.....	28
6	INFORMAZIONI SULL'USO .....	31
7	INFORMAZIONI SULLA MANUTENZIONE .....	33
8	INFORMAZIONI SUI GUASTI.....	37

## INDICE ANALITICO

<b>A</b>		
Avviamento e arresto della pompa alimentata con pompa supplementare .....	32	
Avviamento e arresto della pompa alimentata dalla rete idrica .....	31	
Avviamento e arresto della pompa alimentata per gravità .....	31	
<b>C</b>		
Caratteristiche tecniche .....	24	
Collegamento alla rete idrica .....	29	
Collegamento al serbatoio (alimentazione per gravità) .....	30	
Collegamento con pompa supplementare (alimentazione forzata) .....	30	
Controllo filtro.....	35	
Controllo fissaggio pompa .....	35	
Controllo livello olio.....	35	
Controllo raccordi e tubazioni .....	35	
<b>D</b>		
Demolizione della pompa.....	36	
Descrizione generale.....	23	
Descrizione imballo e disimballo.....	27	
Dichiarazione di incorporazione.....	25	
Dimensioni d'ingombro .....	24	
Documentazione allegata .....	22	
<b>E</b>		
Esclusione di responsabilità .....	22	
<b>F</b>		
Fissaggio della pompa.....	28	
<b>G</b>		
Glossario.....	22	
<b>I</b>		
Identificazione pompa e costruttore .....	21	
Informazioni generali per il collegamento idrico....	29	
Installazione.....	28	
<b>L</b>		
Limiti di funzionamento ambientale .....	24	
<b>M</b>		
Modalità di assistenza tecnica .....	22	
<b>O</b>		
Organi principali .....	23	
<b>P</b>		
Prescrizioni generali di sicurezza.....	26	
Prolungata inattività della pompa.....	36	
<b>R</b>		
Raccomandazioni di sicurezza per la manutenzione.....	33	
Raccomandazioni di sicurezza per la movimentazione e il sollevamento .....	27	
Raccomandazioni di sicurezza per l'installazione...	28	
Raccomandazioni di sicurezza per l'uso .....	31	
Rimessa in servizio .....	36	
Rischi residui .....	23	
<b>S</b>		
Scopo del manuale.....	21	
Sostituzione olio .....	35	
Stoccaggio.....	27	
<b>T</b>		
Trasporto .....	27	
<b>U</b>		
Usi previsti .....	23	
Usi scorretti non consentiti.....	23	

## Scopo del manuale

Il manuale è stato realizzato dal costruttore per fornire le istruzioni operative ed i criteri da seguire per l'installazione, l'uso e la manutenzione della pompa la cui denominazione commerciale è specificata in copertina.

Le istruzioni originali sono fornite dal costruttore in lingua italiana.

Per soddisfare gli adempimenti legislativi o commerciali, le istruzioni originali possono essere fornite dal costruttore in altre lingue.

Se la macchina viene ceduta, il cedente ha l'obbligo di consegnare il manuale al nuovo proprietario.

Le istruzioni sono destinate agli operatori esperti e opportunamente addestrati che eseguono l'installazione e la manutenzione ordinaria.

Per individuare facilmente gli argomenti descritti consultare l'indice analitico.

Il costruttore si riserva il diritto di apportare modifiche al manuale senza l'obbligo di comunicarlo preventivamente, fatta eccezione per le modifiche che riguardano il livello di sicurezza.

L'acquirente dovrà provvedere a far eseguire il progetto di installazione nel rispetto delle istruzioni contenute in questo manuale, delle leggi e delle normative nazionali e locali vigenti.

Le istruzioni tecniche contenute in questo "Manuale d'uso e installazione" sono di proprietà del costruttore e devono essere considerate di natura riservata.

Le illustrazioni possono differire rispetto all'effettiva conformazione della pompa ma non interferiscono con l'esposizione delle istruzioni. In caso di dubbi, chiedere i necessari chiarimenti al costruttore.

Per evidenziare operazioni con presenza di rischio ai fini della sicurezza o per indicare informazioni importanti sono stati utilizzati i simboli di seguito raffigurati e descritti.



### Pericolo - Attenzione

**Indica informazioni o procedure che se non vengono strettamente eseguite possono mettere seriamente a rischio la salute e la sicurezza delle persone.**



### Prudenza - Cautela

**Indica informazioni o procedure che se non vengono strettamente eseguite possono mettere a rischio la salute e la sicurezza delle persone o provocare danni economici.**



### Informazione

**Indica informazioni o procedure utili e importanti da non trascurare.**

## Identificazione pompa e costruttore

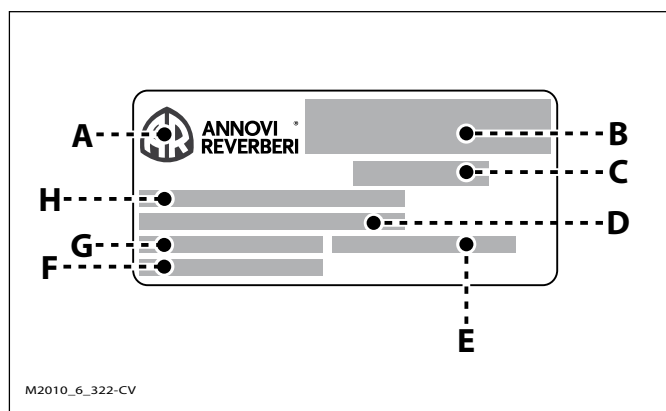
### Targa di identificazione

La targa di identificazione raffigurata, dove sono riportate le indicazioni indispensabili alla sicurezza d'esercizio, è applicata su ogni pompa.

- A) Logotipo del costruttore
- B) Codice a barre numero di fabbricazione
- C) Modello
- D) Pressione massima (bar o psi)
- E) Numero di fabbricazione
- F) Caratteristiche lubrificante
- G) Numero di giri massimo
- H) Portata massima (l/min o U.S. gpm)

### Dati anagrafici costruttore

Annovi Reverberi Spa  
Via Martin Luther King, 3  
41122 Modena (MO) - Italy





### Modalità di assistenza tecnica

---

Per le richieste di assistenza tecnica (per malfunzionamento, avaria della macchina, ecc.) rivolgersi al servizio di assistenza più vicino, oppure direttamente al costruttore.

Per ogni richiesta di assistenza tecnica indicare i dati riportati sulla targa di identificazione della pompa ed il tipo di anomalia riscontrata.

---

### Esclusione di responsabilità

---

Il costruttore si ritiene sollevato da ogni responsabilità derivante da:

- installazione non corretta;
  - uso improprio della pompa;
  - mancanza di manutenzione;
  - modifiche e/o riparazioni non autorizzate;
  - utilizzo di ricambi non originali o non specifici per il modello.
- 

### Documentazione allegata

---

Assieme a questo manuale al Cliente viene rilasciata la documentazione descritta:

- dichiarazione di incorporazione
- 

### Glossario

---

**Acquirente:** persona, ente o società, che ha acquistato la pompa e intende utilizzarla per gli usi concepiti.

**Manutenzione ordinaria:** insieme degli interventi necessari a mantenere la macchina in buone condizioni di funzionamento, per garantire una maggiore durata di esercizio e per conservare costanti i requisiti di sicurezza. Gli intervalli e le modalità di intervento sono descritte dal costruttore in questo "Manuale d'uso e Installazione".

**Manutenzione straordinaria:** insieme degli interventi per conservare la funzionalità ed efficienza della macchina. Questi interventi, richiesti in caso di anomalie improvvise, devono essere eseguiti solo dal tecnico specializzato. Le informazioni riservate ai tecnici specializzati alle riparazioni sono riportate nel "Manuale delle riparazioni".

**Operatore:** persona autorizzata che possiede i requisiti, le competenze e le informazioni necessarie per l'uso della pompa, della macchina o dell'impianto nella quale la pompa è installata e per gli interventi di manutenzione ordinaria.

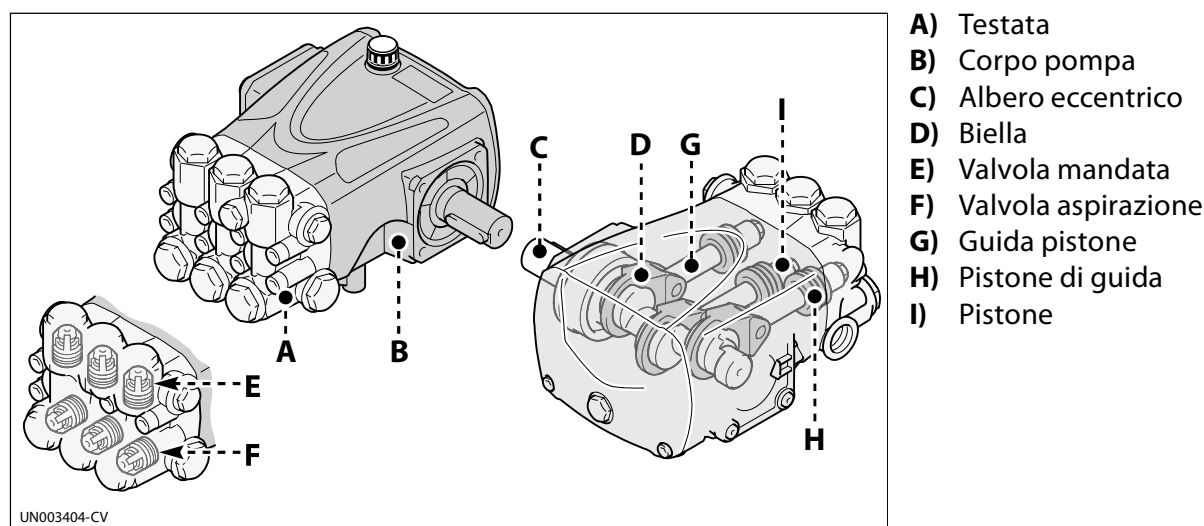
**Installatore:** tecnico autorizzato in possesso dei requisiti e delle specifiche competenze per svolgere le mansioni relative all'installazione della pompa e/o macchine similari e per effettuare le operazioni di manutenzione ordinaria in condizioni di sicurezza, in modo autonomo e privo di rischi.

**Addestramento:** fase necessaria per trasferire agli operatori le conoscenze necessarie per svolgere le operazioni in modo corretto e privo di rischi.

**Descrizione generale**

La pompa è progettata e costruita per pompare e comprimere liquidi ad alta pressione nelle applicazioni industriali.

L'azione di pompaggio è realizzata da una serie di pistoni collegati da bielle all'albero di trasmissione del moto. I pistoni durante il moto scorrono assialmente all'interno della testata dove i condotti di aspirazione e mandata sono muniti di valvole che consentono il passaggio del liquido in un solo senso.

**Organi principali**

**Usi previsti**

La pompa è stata progettata e costruita per essere incorporata a macchinari ed impianti (macchinari per il lavaggio di materie prime, prodotti finiti, ecc.).

La pompa deve essere utilizzata in modo rispondente alle sue caratteristiche tecniche (vedere "Caratteristiche tecniche"), senza subire modifiche o essere utilizzata per usi impropri.

**Usi scorretti non consentiti**

**É vietato** mettere in esercizio la pompa fino a quando l'impianto o la macchina nella quale è incorporata non sia stato dichiarato conforme alle disposizioni legislative nazionali e locali vigenti.

**É vietato** usare la pompa in atmosfera potenzialmente esplosiva.

**É vietato** usare la pompa per liquidi infiammabili, tossici, corrosivi o con densità non idonea. Evitare di aspirare liquidi con temperature superiori a quelle previste dalle sue caratteristiche tecniche.

**É vietato** impiegare la pompa per acquedotti ad uso potabile.

**É vietato** utilizzare la pompa per uso alimentare.

**É vietato** utilizzare la pompa per prodotti farmaceutici.

**Rischi residui**

Nonostante l'osservanza delle norme di sicurezza e delle informazioni riportate sul manuale, persiste, durante l'impiego della pompa, il rischio residuo di seguito riportato.

- **Pericolo di natura termica:** durante il funzionamento la pompa, in relazione alla temperatura del liquido pompato, può raggiungere temperature elevate. Per questo l'esecutore del progetto di installazione dovrà tenerne conto e prevedere le opportune protezioni e i segnali di avvertimento per il personale.



---

### **Caratteristiche tecniche**

---

I dati tecnici e le prestazioni sono riportate in copertina.

Il circuito di aspirazione della macchina dovrà prevedere un filtro di capacità minima di almeno 2 volte la portata della pompa e non deve causare strozzature o perdite di carico. Il grado di filtrazione consigliato è 50÷80 mesh. Pressione negativa in aspirazione massima - 0,25 bar, misurata all'ingresso della pompa.

---

### **Dimensioni d'ingombro**

---

Le illustrazioni raffiguranti le dimensioni di massima sono riportate negli **allegati**.

---

### **Limiti di funzionamento ambientale**

---

La macchina funziona correttamente ad una temperatura ambientale compresa tra i 10 e i 35 °C, con umidità relativa massima pari all'80%.





## Dichiarazione di incorporazione

L'illustrazione raffigura la copia della dichiarazione di incorporazione rilasciata in originale dal costruttore assieme a questo manuale.



### DICHIARAZIONE DI INCORPORAZIONE

(All IIB. DIR. 2006/42/CE)

#### IL FABBRICANTE

**ANNOVI REVERBERI S.p.A**

**Via Martin L. King,3 41122 Modena (ITALIA)**

#### DICHIARA CHE LA QUASI MACCHINA

**POMPA AD ALTA PRESSIONE  
SERIE: XXXX  
ANNO DI COSTRUZIONE:XXXX**

rispetta i seguenti requisiti essenziali applicati: (1.3.1 - 1.3.2 -1.3.3 - 1.3.4 - 1.3.5 -1.3.6 - 1.3.7)

È conforme alle Direttive comunitarie: EN 60335-2-79 EN809

La documentazione tecnica pertinentete é stata compilata in conformità dell'allegato VIIIB, e si impegna a trasmettere, in risposta a una richiesta adeguatamente motivata dalle autorità nazionali, informazioni pertinenti alla quasi macchina.

#### VIETA

La messa in servizio finché la macchina finale nella quale deve essere incorporata non é stata dichiarata conforme (se del caso) alle disposizione della Direttiva 2006/42/CE

La persona autorizzata a costituire la documentazione tecnica pertinente:  
Ing. Stefano Reverberi, c/o Annovi Reverberi S.p.a. via Martin L. King, 3

Modena  
07/04/2010

Il fabbricante  
**Reverberi Stefano**  
Managing Director



### Prescrizioni generali di sicurezza

---

La maggior parte degli incidenti ed infortuni che si verificano nei luoghi di lavoro sono causati dalla distrazione e dall'inosservanza delle regole di prudenza e sicurezza.

Nella maggioranza dei casi gli incidenti possono essere evitati prevedendo le possibili cause e di conseguenza agendo con la necessaria cautela e prudenza.

Un operatore attento e rispettoso delle regole è la miglior garanzia contro gli incidenti.

L'operatore e gli altri addetti devono, prima di installare e utilizzare la macchina, leggere attentamente e comprendere le istruzioni riportate nel manuale in dotazione e i dati del progetto di installazione.

Non manomettere, eliminare o by-passare i dispositivi di sicurezza per non originare gravi rischi all'incolumità e alla salute delle persone.

Non disperdere materiale inquinante nell'ambiente.

Effettuare lo smaltimento nel rispetto delle leggi vigenti in materia.

Prima di effettuare qualsiasi intervento adottare adeguate misure di sicurezza nel rispetto della legislazione vigente in materia di sicurezza nei luoghi di lavoro ed attenersi alle prescrizioni di sicurezza riportate nel manuale.



### Raccomandazioni di sicurezza per la movimentazione e il sollevamento

**Prima di iniziare le operazioni organizzare l'area destinata al lavoro in modo tale da consentire il sollevamento e gli spostamenti dei materiali in sicurezza.**

**Le operazioni di scarico, carico, movimentazione e sollevamento devono essere effettuate da persone qualificate, autorizzate e con specifica formazione professionale.**

**Durante le operazioni di sollevamento e movimentazione le persone non coinvolte nelle operazioni devono tenersi a distanza di sicurezza.**

**Per le operazioni di sollevamento usare ganci e funi integre e adeguate al carico da sollevare.**

### Descrizione imballo e disimballo

Normalmente l'imballo è realizzato con scatola di cartone per rendere agevole e sicuro il trasporto.

In base alla quantità di merce da spedire e al luogo di destinazione gli imballi possono essere fissati sopra un pallet per facilitare il sollevamento e la movimentazione.

Accertare il peso del collo dai documenti di trasporto per utilizzare il mezzo di sollevamento adeguato.

In fase di disimballo, controllare l'integrità e l'esatta quantità dei componenti e se danneggiati o mancanti, contattare il rivenditore o direttamente il costruttore per concordare le procedure da adottare.

Il materiale di imballo va opportunamente smaltito nel rispetto delle leggi vigenti.

### Trasporto

La pompa, in funzione al luogo di destinazione, può essere spedita con mezzi di trasporto diversi (stradali, ferroviari, marittimi o aerei).

In fase di trasporto, per evitare spostamenti incontrollabili, vincolare l'imballo al mezzo di trasporto in modo adeguato.

### Stoccaggio

In caso di una prolungata inattività stoccare la pompa, possibilmente imballata o comunque protetta, in luogo coperto e riparato dagli agenti atmosferici.

Evitare i luoghi di stoccaggio le cui condizioni ambientali potrebbero con il tempo pregiudicare la funzionalità della macchina.

Il costruttore consegna la pompa con un trattamento anticorrosione valido 1 mese a partire dalla data di fornitura.

**Raccomandazioni di sicurezza per l'installazione**

Adottare tutte le precauzioni possibili per effettuare l'installazione in modo sicuro e privo di rischi.

Tutte le fasi di installazione devono essere già considerate nella progettazione della macchina o dell'impianto nella quale la pompa verrà installata.

Nel progetto dovranno essere considerati tutti i punti di fissaggio, le modalità di trasmissione delle fonti di energia, i dispositivi di protezione e di sicurezza in ottemperanza con la normativa vigente per prevenire i pericoli di infortunio.

**Installazione**

Il collegamento meccanico della pompa alla sorgente motrice può essere effettuata tramite puleggia e cinghia, o con giunto elastico, oppure flangiandola direttamente alla sorgente motrice.

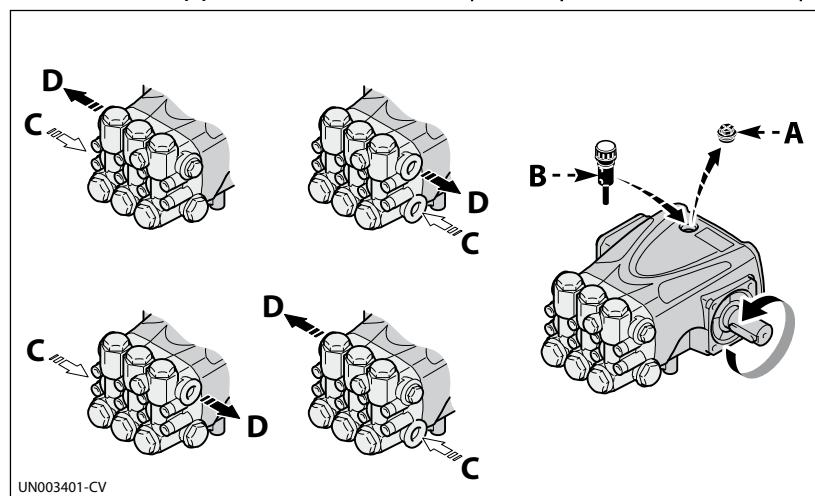
La rotazione dell'albero eccentrico può essere in entrambi i sensi.

Il collegamento idrico può essere effettuato indifferentemente dalle bocche di aspirazione di destra o di sinistra della pompa (vedere figura).

Collegare la pompa solamente a fonti idriche filtrate e pulite.

In base alla necessità del collegamento svitare i tappi dalle bocche, tappate in origine dal costruttore, ed avvitarli nelle bocche non utilizzate.

Sostituire il tappo olio (A), utilizzato per la spedizione, con il tappo di sfiato (B) in dotazione.



- A)** Tappo olio provvisorio
- B)** Tappo olio con sfiato
- C)** Bocca di aspirazione
- D)** Bocca di mandata

UN003401-CV

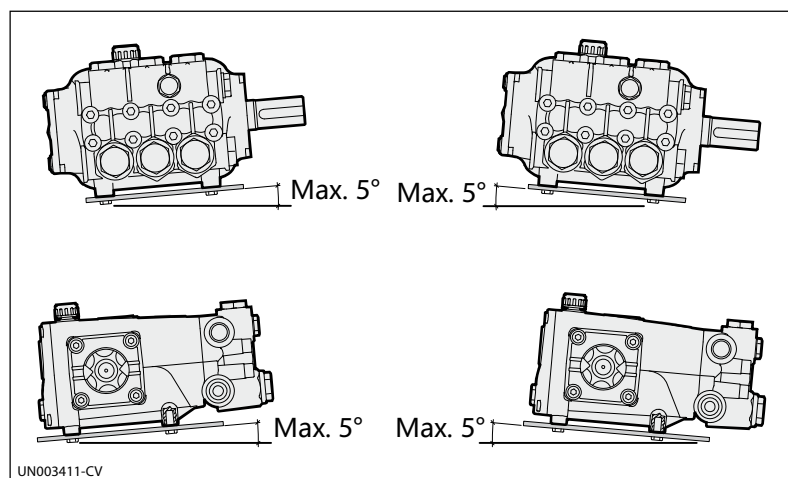
IT

**Fissaggio della pompa**

La pompa deve essere installata su un piano orizzontale senza interposizione di elementi elastici.

L'illustrazione raffigura l'inclinazione massima consentita della pompa per assicurare una corretta lubrificazione del manovellismo.

Fissare la pompa con viti adeguate al diametro e alla profondità tramite i fori previsti nel corpo pompa.



UN003411-CV

**Informazioni generali per il collegamento idrico**

Il collegamento idrico della pompa può essere realizzato come elencato.

- Collegamento alla rete idrica.
- Collegamento ad un serbatoio (alimentazione per gravità).
- Collegamento con pompa esterna (alimentazione forzata).

Tutte le tipologie di collegamento devono rispettare le seguenti indicazioni.

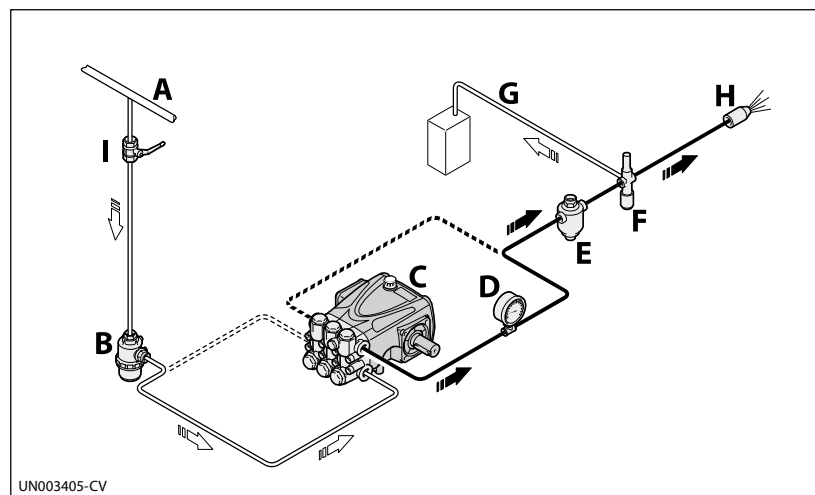
- 1) La pompa deve essere alimentata da un tubo flessibile resistente allo schiacciamento e di diametro appropriato al raccordo di aspirazione della pompa (vedere "Caratteristiche tecniche").
- 2) Il tubo non deve presentare restrizioni di diametro o curve strette.
- 3) All'ingresso della pompa dovrà essere montato un filtro adeguato (vedere "Caratteristiche tecniche").
- 4) Tutti i collegamenti tra i raccordi e la tubazione di aspirazione devono essere sigillati per evitare alla pompa di aspirare aria.
- 5) I raccordi e le tubazioni di mandata devono essere idonei alla pressione d'esercizio, alla portata della pompa e rispettare la normativa vigente.
- 6) Per salvaguardare la sicurezza di funzionamento installare a valle della pompa una valvola di sicurezza (by-pass) adeguata alle caratteristiche tecniche della pompa e opportunamente tarata.
- 7) Il tubo di scarico della valvola di sicurezza non deve mai essere collegato al condotto di aspirazione della pompa.
- 8) Per ridurre al minimo le pulsazioni dell'acqua nella tubazione di mandata installare uno smorzatore di pressione a valle della pompa.

**Collegamento alla rete idrica**

Il collegamento deve essere corrispondente alle indicazioni descritte.

- 1) La rete idrica deve avere una portata doppia rispetto alla portata nominale della pompa e una pressione di 2 - 3 bar.
- 2) Attuare le indicazioni descritte nel paragrafo "Informazioni generali per il collegamento idrico".

L'illustrazione raffigura in modo sintetico lo schema di collegamento della pompa alla rete idrica.



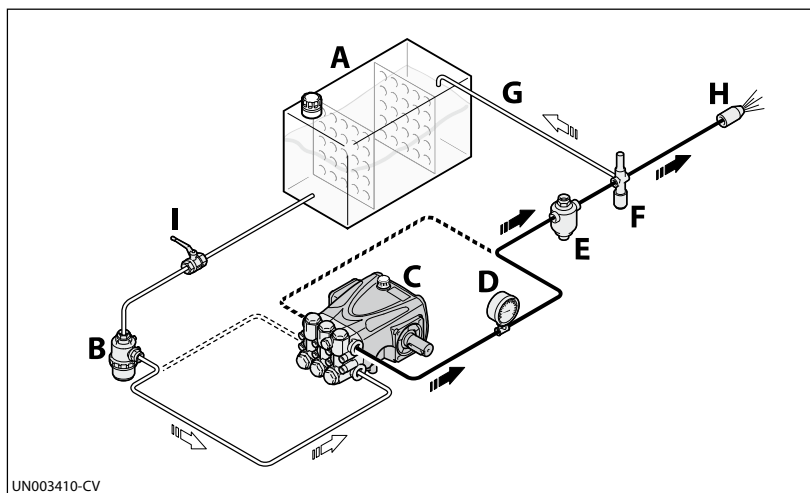
- A)** Rete idrica
- B)** Filtro in aspirazione
- C)** Pompa ad alta pressione
- D)** Manometro
- E)** Smorzatore di pressione
- F)** Valvola di sicurezza (by-pass)
- G)** Tubazione di scarico
- H)** Ugello
- I)** Saracinesca

**Collegamento al serbatoio (alimentazione per gravità)**

Il collegamento deve essere corrispondente alle indicazioni descritte.

- 1) La pompa deve essere installata in una posizione inferiore rispetto alla bocca di aspirazione del serbatoio (sottobattente).
- 2) Il serbatoio deve essere provvisto di paratie per evitare lo sbattimento dell'acqua e avere una capacità di almeno 10 volte rispetto alla portata nominale della pompa.
- 3) La depressione misurata direttamente alla bocca di aspirazione della pompa, non deve essere superiore a 0.1 bar e la temperatura dell'acqua non superiore a 30 °C.
- 4) Attuare le indicazioni descritte nel paragrafo "Informazioni generali per il collegamento idrico".

L'illustrazione raffigura in modo sintetico lo schema di collegamento al serbatoio.



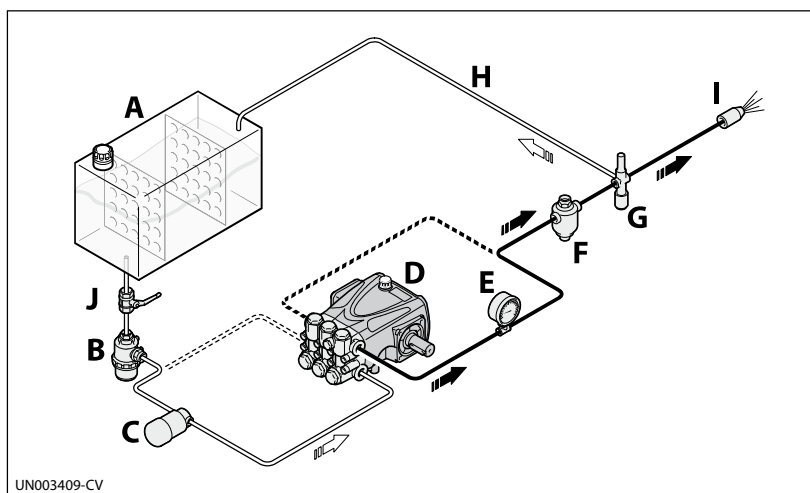
- A) Serbatoio
- B) Filtro in aspirazione
- C) Pompa ad alta pressione
- D) Manometro
- E) Smorzatore di pressione
- F) Valvola di sicurezza (by-pass)
- G) Tubazione di scarico
- H) Ugello
- I) Saracinesca

**Collegamento con pompa supplementare (alimentazione forzata)**

Il collegamento deve essere corrispondente alle indicazioni descritte.

- 1) La pompa supplementare deve avere una portata nominale almeno doppia della portata nominale della pompa ad alta pressione e raggiungere una pressione d'esercizio di 2 - 3 bar.
- 2) Attuare le indicazioni descritte nel paragrafo "Informazioni generali per il collegamento idrico".

L'illustrazione raffigura in modo sintetico lo schema di collegamento con la pompa supplementare.



- A) Serbatoio
- B) Filtro in aspirazione
- C) Pompa supplementare
- D) Pompa ad alta pressione
- E) Manometro
- F) Smorzatore di pressione
- G) Valvola di sicurezza (by-pass)
- H) Tubazione di scarico
- I) Ugello
- J) Saracinesca

**Raccomandazioni di sicurezza per l'uso**

**Prima dell'avviamento l'operatore deve effettuare i controlli necessari ai fini della sicurezza.**

**In caso di perdite dalle tubazioni in pressione arrestare immediatamente la pompa ed eliminare la causa che ha provocato la perdita.**

**Non fare funzionare la pompa oltre i limiti previsti dal costruttore per aumentarne le prestazioni.**

**In caso di arresto, a temperature ambientali prossime a 0 °C, far funzionare la pompa senza acqua per 10 secondi e con la tubazione di mandata aperta per vuotare l'impianto, la pompa dall'acqua e per prevenire la formazione di ghiaccio.**

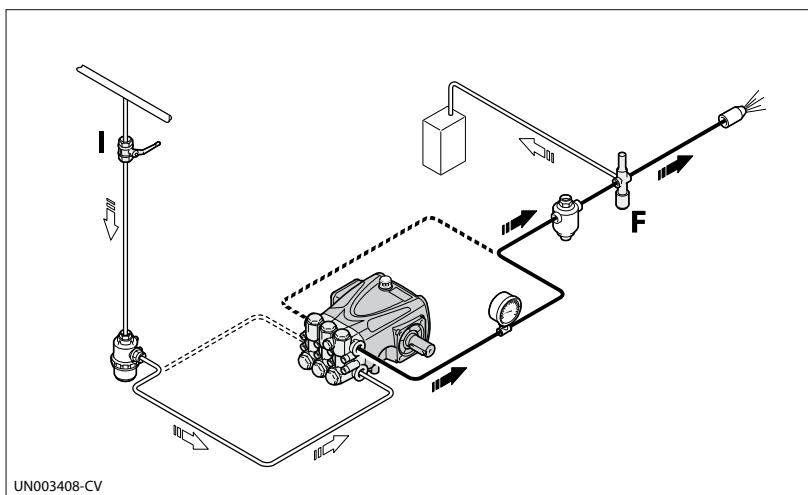
**Avviamento e arresto della pompa alimentata dalla rete idrica**

Per l'avviamento procedere come descritto.

- 1) Aprire la saracinesca (I).
- 2) Aprire la valvola di by-pass (F) per depressurizzare la tubazione di mandata.
- 3) Avviare la pompa e farla funzionare per qualche minuto senza pressione.
- 4) Regolare la valvola di by-pass (F) fino a raggiungere la pressione di esercizio della pompa.

Per l'arresto procedere come descritto.

- 1) Aprire la valvola di by-pass (F) per scaricare la pressione.
- 2) Arrestare la pompa.
- 3) Chiudere la saracinesca (I).

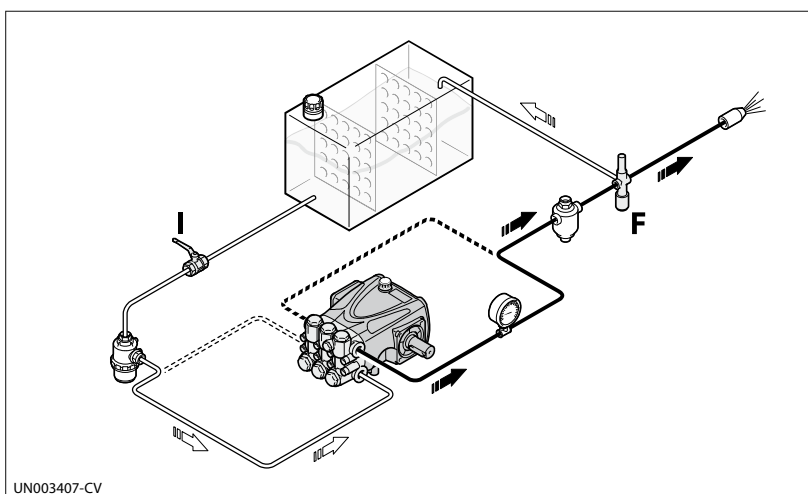

**Avviamento e arresto della pompa alimentata per gravità**

Per l'avviamento procedere come descritto.

- 1) Aprire la saracinesca (I).
- 2) Aprire la valvola di by-pass (F) per depressurizzare la tubazione di mandata.
- 3) Avviare la pompa e farla funzionare per qualche minuto senza pressione.
- 4) Regolare la valvola di by-pass (F) fino a raggiungere la pressione di esercizio della pompa.

Per l'arresto procedere come descritto.

- 1) Aprire la valvola di by-pass (F) per scaricare la pressione.
- 2) Arrestare la pompa.
- 3) Chiudere la saracinesca (I).



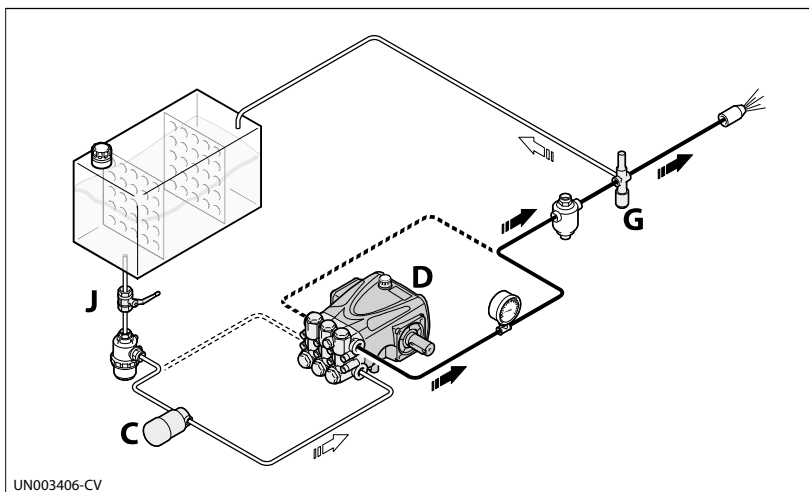
**Avviamento e arresto della pompa alimentata con pompa supplementare**

Per l'avviamento procedere come descritto.

- 1) Aprire la saracinesca (**J**).
- 2) Aprire la valvola di by-pass (**G**) per depressurizzare la tubazione di mandata.
- 3) Avviare la pompa supplementare (**C**).
- 4) Avviare la pompa (**D**) e farla funzionare per qualche minuto senza pressione.
- 5) Regolare la valvola di by-pass (**G**) fino a raggiungere la pressione di esercizio della pompa.

Per l'arresto procedere come descritto.

- 1) Aprire la valvola di by-pass (**G**) per scaricare la pressione.
- 2) Arrestare la pompa (**D**).
- 3) Arrestare la pompa supplementare (**C**).
- 4) Chiudere la saracinesca (**J**).







### Raccomandazioni di sicurezza per la manutenzione

**Prima di effettuare qualsiasi intervento di manutenzione depressurizzare l'impianto idrico e isolare la pompa da tutte le fonti di energia.**

**Al termine delle operazioni, prima di riavviare la macchina, controllare che non siano rimasti attrezzi, stracci o altro materiale in prossimità degli organi in movimento o in zone a rischio.**

**Sostituire i componenti troppo usurati con ricambi originali e usare i lubrificanti consigliati dal costruttore.**

**Smaltire i componenti sostituiti e i lubrificanti secondo le leggi vigenti in materia.**

**Effettuare le operazioni di manutenzione programmata previste dal costruttore per mantenere la pompa efficiente e sicura.**

<b>Tabella manutenzione programmata</b>			
<b>Frequenza</b>	<b>Componente</b>	<b>Tipo di intervento</b>	<b>Riferimento</b>
Ogni giorno di lavoro	Filtro	Controllo stato cartuccia filtrante	Vedere "Controllo filtro"
	Pompa	Controllo livello olio	Vedere "Controllo livello olio"
Ogni 50 ore di lavoro	Collegamento della pompa alla fonte d'energia (puleggia, cinghia, giunto)	Controllo	-
	Pompa	Controllo fissaggio	Vedere "Controllo fissaggio pompa"
	Tubazioni e raccordi	Controllo	Vedere "Controllo raccordi e tubazioni"
	Pompa	Sostituzione olio (1)	Vedere "Sostituzione olio"
Ogni 500 ore di lavoro oppure ogni anno	Pompa	Sostituzione olio	Vedere "Sostituzione olio"
Ogni 1000 ore di lavoro	Guarnizioni pompa	Sostituzione	Rivolgersi ad una officina autorizzata
	Valvole	Sostituzione	Rivolgersi ad una officina autorizzata

(1) La sostituzione dell'olio a questa frequenza si effettua solo la prima volta



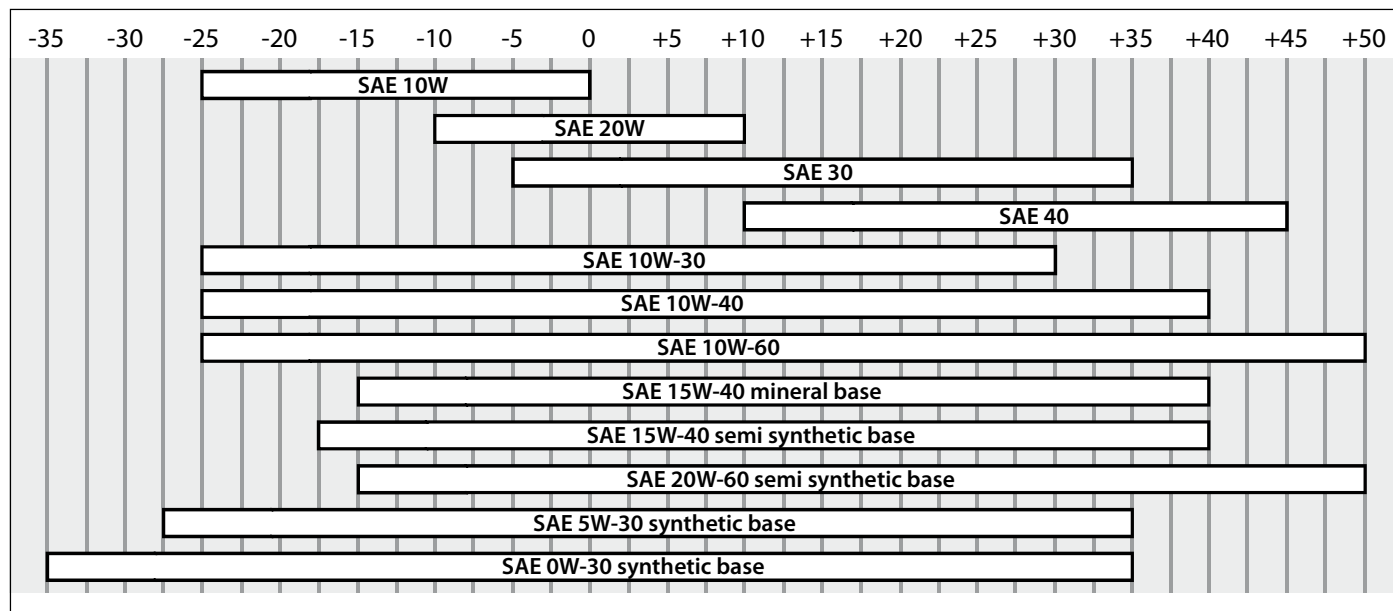
## Tabella lubrificanti

La pompa è consegnata rifornita con olio di primo impiego le cui caratteristiche sono riportate sulla targa di identificazione.

In caso di sostituzione del lubrificante rifornire con olio adatto alle condizioni ambientali di lavoro (vedere le indicazioni riportate “negli allegati” e vedere “Limiti di funzionamento ambientale”).

La corretta viscosità dell’olio lubrificante è in funzione della temperatura esterna.

Usare il grafico per selezionare il grado di viscosità più adatto alle temperature di utilizzo.



**Controllo fissaggio pompa**

Verificare che le viti di fissaggio della pompa non siano allentate.

Se necessario avvitarle con la coppia di serraggio indicata nel progetto di installazione.

**Controllo raccordi e tubazioni**
**- Controllare eventuali perdite dai raccordi.**

Normalmente le perdite sono eliminabili mediante un corretto serraggio dei raccordi.

Se si notano perdite dai raccordi nelle tubazioni di aspirazione è necessario ripristinare la sigillatura.

**- Controllare lo stato delle tubazioni flessibili.**

Se le tubazioni presentano segni d'invecchiamento, rotture, rigonfiamenti, abrasioni, ecc. devono essere sostituite.

**Controllo filtro**
**- Controllare lo stato della cartuccia filtrante.**

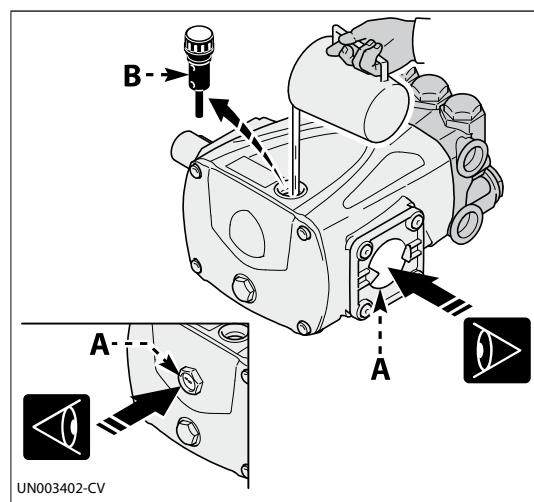
Se la cartuccia filtrante è intasata o danneggiata consultare le istruzioni del costruttore del filtro per riportare la cartuccia filtrante nello stato di filtrazione originale.

**Controllo livello olio**

- Effettuare il controllo con la pompa in piano e fredda.
- Verificare la quantità dell'olio dall'indicatore di livello (A).
- Se necessario rabboccare con olio dalle caratteristiche uguali a quelle indicate nella "Tabella lubrificanti".

Per il rabbocco dell'olio procedere come descritto.

- 1) Svitare il tappo (B) e versare l'olio dal foro fino a raggiungere la mezziera dell'indicatore di livello (A).
- 2) Avvitare il tappo (B).


**Sostituzione olio**

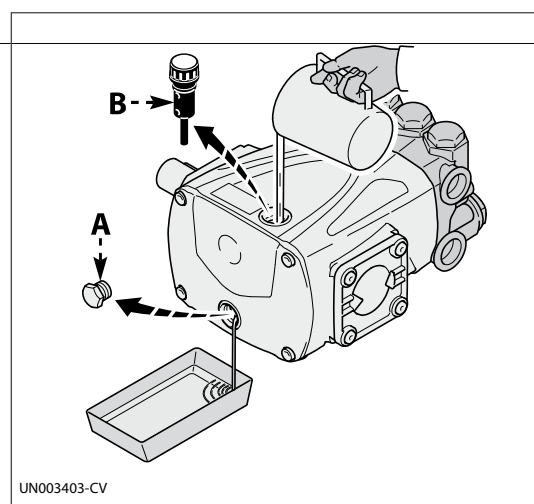
**Posizionare la macchina nella quale è incorporata la pompa perfettamente in piano e con pompa leggermente calda.**

**Non disperdere l'olio nell'ambiente.**

**Effettuare lo smaltimento nel rispetto della legislazione vigente.**

Per la sostituzione procedere come descritto.

- 1) Predisporre un recipiente di adeguata capienza per la raccolta dell'olio esausto.
- 2) Svitare il tappo di scarico (A) e lasciare defluire completamente l'olio.
- 3) Avvitare il tappo di scarico (A).
- 4) Svitare il tappo di riempimento (B).
- 5) Versare l'olio nuovo dal foro di riempimento fino a raggiungere il corretto livello (vedere "Controllo livello olio").
- 6) Avvitare il tappo di riempimento (B).





### **Prolungata inattività della pompa**

---

Se la pompa rimane inattiva per lungo tempo procedere come descritto.

- 1) Far funzionare la pompa per alcuni minuti con acqua pulita.
  - 2) Far funzionare la pompa senza acqua per 10 secondi con la tubazione di mandata aperta per svuotare la pompa e il circuito di mandata e per prevenire la formazione di incrostazioni.
  - 3) Lavare la pompa con acqua e solventi autorizzati dalla legislazione vigente.
  - 4) Asciugare la pompa con un getto d'aria in pressione.
  - 5) Proteggere la pompa dalle intemperie.
- 

### **Rimessa in servizio**

---

Prima di mettere in servizio la pompa dopo una prolungata inattività controllare il livello dell'olio e il serraggio delle viti di fissaggio.

---

### **Demolizione della pompa**

---

La demolizione della pompa deve essere affidata a personale esperto nel rispetto delle leggi vigenti in materia di sicurezza sul lavoro.

I componenti smontati devono essere separati in base alla natura dei materiali di cui sono composti. Non disperdere nell'ambiente materiali inquinanti quali guarnizioni e lubrificanti.

Effettuare lo smaltimento nel rispetto delle leggi vigenti in materia di "Raccolta e smaltimento differenziato dei rifiuti".



Le informazioni riportate hanno lo scopo di aiutare a comprendere i rimedi alla avarie che si possono verificare in fase d'uso.

Alcuni di questi rimedi possono essere effettuati da personale esperto, altri devono essere effettuati presso le officine autorizzate poiché richiedono, oltre ad una conoscenza dettagliata sulle riparazioni, l'uso di attrezzi specifici.

Inconveniente	Causa	Rimedio	
La pompa non raggiunge le pressioni prescritte	La pompa aspira aria	Ripristinare la tenuta nel condotto di aspirazione	
	Portata alimentazione insufficiente		Aumentare le dimensioni delle tubazioni di aspirazione
			Rimuovere eventuali curve strette dalle tubazioni
			Aumentare la capacità del filtro o effettuare la pulizia della cartuccia filtrante
			Aumentare la velocità di rotazione a quella di targa
	Valvole di aspirazione e mandata usurate	Sostituire le valvole (1)	
	Sede valvola di by-pass usurata	Sostituire la valvola	
	Guarnizioni usurate	Sostituire le guarnizioni (1)	
Ugello non adeguato e usurato	Sostituire l'ugello		
Oscillazioni irregolari di pressione	Valvole di aspirazione e mandata usurate	Sostituire le valvole (1)	
	Valvole ostruite da corpi estranei	Pulire le valvole (1)	
	Aspirazioni d'aria	Ripristinare le tenute dei raccordi nella tubazione di aspirazione	
	Guarnizioni usurate	Sostituire le guarnizioni (1)	
Vibrazioni sui tubi	Valvole inceppate	Sostituire le valvole (1)	
	Malfunzionamento della valvola di by-pass	Sostituire la valvola di by-pass	
	Linea di scarico della valvola di by-pass sottodimensionata	Aumentare le dimensioni della linea di scarico della valvola di by-pass	
	Smorzatore di pressione scarico	Ripristinare la corretta pressione di gonfiaggio dello smorzatore di pressione	
	La pompa aspira aria	Ripristinare la tenuta nel condotto di aspirazione	
Calo di pressione	Ugello usurato	Sostituire l'ugello	
	Valvole di aspirazione e/o mandata usurate	Sostituire le valvole (1)	
	Valvole ostruite da corpi estranei	Pulire le valvole (1)	
	Sede valvola di by-pass usurata	Sostituire la valvola	
	Guarnizioni usurate	Sostituire le guarnizioni (1)	

(1) Interventi da effettuare presso un'officina autorizzata



Inconveniente	Causa	Rimedio
Pompa rumorosa	Aspirazioni d'aria	Ripristinare le tenute dei raccordi nella tubazione di aspirazione
	Molle valvole di aspirazione e/o mandata rotte o snervate	Sostituire le valvole <b>(1)</b>
	Valvole ostruite da corpi estranei	Pulire le valvole <b>(1)</b>
	Cuscinetti usurati	Sostituire i cuscinetti <b>(1)</b>
	Temperatura elevata liquido aspirato	Diminuire la temperatura del liquido
La pompa si surriscalda	Pressione d'esercizio della pompa elevata	Ridurre la pressione ai valori di targa
	Eccessiva tensione delle cinghie di trasmissione del moto	Ripristinare la corretta tensione delle cinghie
	L'allineamento delle pulegge o del giunto di trasmissione del moto è impreciso	Ripristinare il corretto allineamento
Presenza di acqua nell'olio	Guarnizioni di tenuta dei pistoni di guida usurate	Sostituire le guarnizioni <b>(1)</b>
	Elevata percentuale di umidità nell'aria	Cambiare l'olio con una frequenza doppia (rispetto alla tabella "Manutenzione programmata")
	Guarnizioni usurate	Sostituire le guarnizioni <b>(1)</b>
Perdite di liquido dai condotti di scarico al di sotto della pompa	Guarnizioni usurate	Sostituire le guarnizioni <b>(1)</b>
	Pistoni usurati	Sostituire i pistoni <b>(1)</b>
Perdite di olio dai condotti di scarico al di sotto della pompa	Guarnizioni di tenuta dei pistoni di guida usurate	Sostituire le guarnizioni <b>(1)</b>

**(1)** Interventi da effettuare presso un'officina autorizzata



## 摘要

1	综合信息 .....	40
2	技术信息.....	42
3	安全信息 .....	45
4	搬运和运输说明.....	46
5	安装说明.....	47
6	使用说明 .....	50
7	保养说明 .....	52
8	常见故障及排除方法 .....	56

## 目录

手册用途.....	40	连接自来水管时泵的启动和关闭 .....	50
泵和制造商标识.....	40	水箱供水时的泵的启动和关闭 .....	50
售后服务.....	41	增压泵供水时泵的启动和关闭 .....	51
免责条款.....	41	保养注意事项.....	52
附加文件.....	41	润滑油表.....	53
术语表.....	41	检查泵的安装件.....	54
简介.....	42	检查管路和接头.....	54
主要零部件.....	42	检查过滤器.....	54
主要用途.....	42	检查油位.....	54
使用限制.....	42	换油.....	54
残余危险.....	42	泵的保养.....	55
技术参数.....	43	泵的重新使用.....	55
外形尺寸 .....	43	泵的报废.....	55
操作条件.....	43	附录.....	56
公司声明.....	44		
基本安全准则.....	45		
搬运和起吊注意事项.....	46		
包装说明和拆包装.....	46		
运输.....	46		
储存.....	46		
安装注意事项.....	47		
安装.....	47		
泵的安装固定.....	47		
供水系统连接指南.....	48		
连接主供水管道.....	48		
连接水箱 (重力式供水) .....	49		
连接增压泵(增压泵供水).....	49		
使用注意事项.....	50		



## 手册用途

本手册提供了泵的安装、使用和维护操作该泵的指南和标准。

制造商最初提供的是英文版的使用说明。

根据法律规定或市场需要, 制造商也会提供其他语言版本的说明书。

如果出售该泵, 卖方必须将该手册和泵一同提供给新用户。

手册中的说明主要是供经过培训的, 熟练的操作员进行安装和日常保养操作时参照使用。

制造商有权对手册内容进行修改。除非涉及泵的安全性能, 否则修改内容不做另行通知。

买方必须确保按照本手册的说明、法律规定以及相关的国家或地区规定进行安装。

“产品使用手册”中的技术说明、知识产权属于制造商所有, 用户必须保密。

该手册中的图解可能存在与泵的实际结构有所不同的情况, 但这并不影响使用说明的准确性。如有疑问, 请咨询制造商。

下面列出了关于安全风险或重要信息的符号和说明:



**危险 - 警告**

如未按照标识符号提示的相关信息或规定进行操作, 可能会对健康和安全造成严重威胁。



**小心 - 注意**

如未按照标识符号提示的相关信息或规定进行操作, 可能会对健康和安全造成威胁或损害。



**信息**

需要注意的重要信息或规定。

## 泵和制造商标识

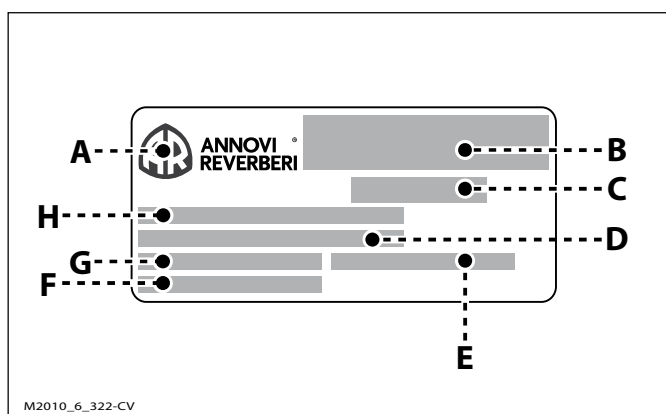
### 参数铭牌

此处所示的铭牌包含安全操作的重要信息, 每个泵上面都附有该标牌。

- A) 制造商的名称及地址
- B) 序列号及条形码
- C) 型号
- D) 最大压力 (bar or psi)
- E) 序列号
- F) 润滑油规格
- G) 最高转速
- H) 最大流量 (l/min or U.S. gpm)

### 制造商

Annovi Reverberi Spa  
Via Martin Luther King, 3  
41122 Modena (MO) - Italy







### 售后服务

当您需要售后服务时(泵出现故障时),请联系最近的服务中心或制造商。  
当申请售后服务时,一定要向维护人员说明泵的参数铭牌内容和问题类型。

### 免责条款

如有以下情形,制造商免于承担责任:

- 不正确的安装;
- 不合理的使用泵;
- 缺乏合理维护的泵;
- 未经授权的改装或维修;
- 未使用原装配件,或使用的配件与该型号的泵不匹配;

### 附加文件

以下文件用于和本手册一同交付给客户:

- 公司声明

### 术语表

**安装人员:**具备相关资质和技能的授权技术人员,能够安全、独立地安装该泵或类似机械以及进行日常维护操作。

**操作员:**具备相关资质和技能的授权人员,了解泵或泵所在的设备、工厂的操作流程,以及日常的维护流程。

**买方:**因特定目的购买和使用该泵的个人、组织或公司。

**维修:**保持泵的工作效率和正常运行所需的各种操作。发生意外故障时,必须由熟练的技术人员进行维修操作。相关具体内容请参见《维修手册》。

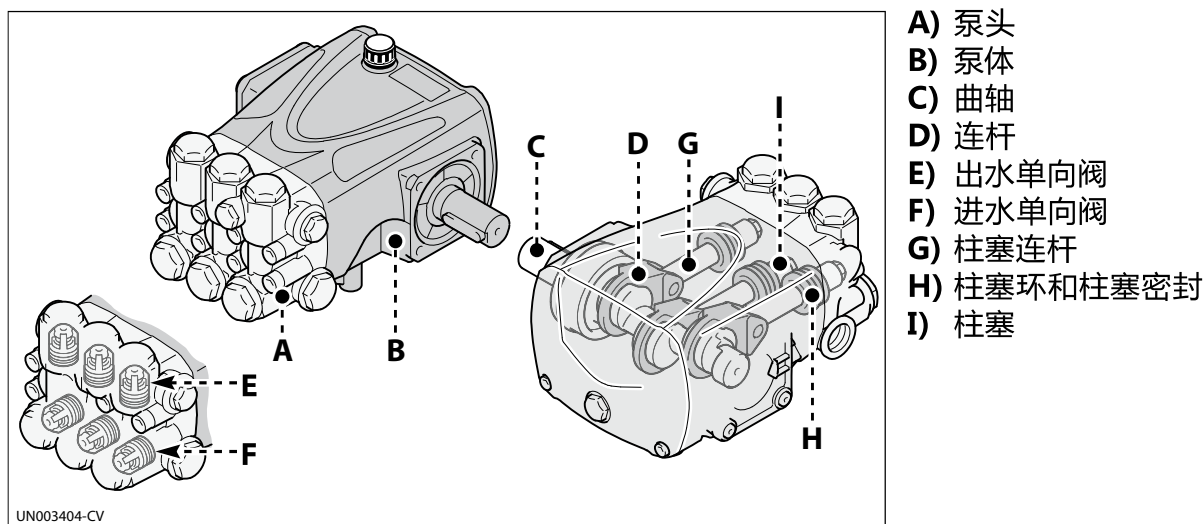
**日常维护:**日常维护是指维持泵的正常运转所需的各种操作,以确保该泵符合安全要求、并且具有更长的使用寿命。制造商在《产品使用手册》中介绍了维护保养的流程和间隔时间。

**培训:**操作员获取操作知识和正确、安全地进行操作必需经历的过程。

## 简介

AR高压柱塞泵采用先进的工业设计理念。主要工作原理是当泵运转时，曲轴通过连杆带动柱塞运动，使柱塞在泵头内部产生轴向冲程，加上进出水单向阀，使泵头内液体能够快速的向一个方向传送。

## 主要零部件



- A) 泵头
- B) 泵体
- C) 曲轴
- D) 连杆
- E) 出水单向阀
- F) 进水单向阀
- G) 柱塞连杆
- H) 柱塞环和柱塞密封
- I) 柱塞

## 主要用途

该泵设计为机械的部件，可用于组装成套设备（例如组装成某些用于冲洗原材料或成品的设备）。该泵的使用必须与其技术参数相适应（参见“技术参数”），不得进行改装或不恰当地使用。

## 使用限制

- 除非车间或泵所要安装的机械符合相关国家或当地的法律规定，否则不得安装使用该泵。
- 不要在易爆气体环境使用该泵。
- 不要使用该泵泵送易燃、有毒、腐蚀性的液体、或此类高浓度的危险化学品。
- 不要使用该泵泵送温度高于规定技术参数的液体。
- 不要使用该泵泵送饮用水。
- 不要使用该泵泵送人类食用产品。
- 不要使用该泵泵送药剂产品。

## 残余风险

即使按照该手册中的安全规定和信息进行操作，在使用该泵的过程中仍然有可能产生以下危险情况：

- 高温风险：作业过程中由于泵送液体的温度很高，泵在工作时可能会达到比较高的温度。因此整机设备设计师必须考虑到这一点，为操作人员提供适当的防护措施和警示标识。



### 技术参数

---

技术和性能参数请见封面。

泵的进水口必须安装有过滤能力至少两倍于泵进水流量的过滤器。而且不能产生任何限流或接头堵塞现象。推荐使用过滤密度为50/80mech的滤网。进水口处的最大进水压力为0.25bar。

---

### 外形尺寸

---

附录中的图解标示出了该泵的整体外形尺寸。

---

### 操作条件

---

该泵需要在10-35°C的环境温度和80%的相对湿度下进行操作。



公司声明

下图是制造商出版本手册时出具的公司声明的副本，制造商会将其与该手册一同交付给买方。



**DECLARATION OF INCORPORATION**

(Ann. IIB. DIR. 2006/42/EC)

**THE MANUFACTURER**

**ANNOVI REVERBERI S.p.A**

**Via Martin L. King,3 41122 Modena (ITALY)**

**DECLARES THAT THE PARTLY COMPLETED MACHINERY**

**HIGH PRESSURE PUMP  
SERIAL NUMBER: XXXX  
YEAR OF CONSTRUCTION:XXXX**

complies with the following applied essential requirements: (1.3.1 - 1.3.2 -1.3.3 - 1.3.4 - 1.3.5 -1.3.6 - 1.3.7)

Conforms to Community Directives: EN 60335-2-79 EN809

The relevant technical documentation has been compiled in compliance with annex VIIB and we hereby undertake to transmit, in response to a reasoned request by the national authorities, relevant information on the partly completed machinery.

**FORBIDS**

The putting into service of the aforesaid partly completed machinery until the final machinery into which it is to be incorporated has been declared in conformity with the provisions of Directive 2006/42/EC.

The person authorised to compile the relevant technical documentation:  
Stefano Reverberi, c/o Annovi Reverberi S.p.a. via Martin L. King, 3

Modena  
07/04/2010

The Manufacturer  
**Stefano Reverberi**  
Managing Director

CN



### 基本安全准则

多数工作场所的事故和人身伤害,通常是由于粗心、不了解操作常识或不遵守安全规定而导致的。

一般来说,事先预估操作可能导致的后果,小心谨慎地进行操作,多数事故都是可以避免的。

只有操作员遵守操作规程,才会避免事故的发生。

在安装和使用泵之前,操作员和其他工作人员必须阅读并理解手册中的说明以及安装设计的相关细节。

不得擅自改装、拆除安全装置,否则会对人身安全造成严重威胁。

不要将污染物直接排放到自然环境中。

严格按照相关法律规定处理废物。

在进行任何操作之前,要根据法律规定的职业安全要求,采用适当的安全防护措施,并遵守手册中的安全规定。



### 搬运和起吊注意事项

在进行操作之前,清理目标工作区,以便安全地起吊和搬运物料。  
泵的装卸、搬运和起吊必须由经过专门培训的,技能熟练的授权人员来操作。  
在进行起吊和搬运操作时,非工作人员必须保持安全的距离。  
起吊时要使用符合载荷要求的,完好的吊钩和绳索。

### 包装说明和拆包装

通常是用纸箱包装,以便于进行安全运输。  
根据货物的数量和运送的目的地,包装的货品可能会需要固定到托盘上,以便于进行起吊和搬运。  
检查运货单据上物品的重量,选择合适的起吊设备。  
拆包装时,检查所有零部件是否完好或缺损。如有缺失或损坏,请联系经销商或制造商。  
必须根据相关法律规定处理包装材料。

### 运输

根据运送的目的地不同,泵的运输可以选择不同的方式(公路、铁路、海运或空运等)。在运输过程中,要将装箱的产品在运输车上固定好,避免晃动。

### 储存

如果长时间不使用,可以将泵遮盖保存起来,避免受天气影响(尽可能封装或采取其他保护措施)。  
不要将泵长时间放置在可能损害泵正常运行的环境中。  
制造商在交付该泵时,提供自交付之日起有效期为1个月的防腐蚀处理。



## 安装注意事项

尽可能采取防范措施,使泵在安全、无风险的方式下安装。

在设计需要安装该泵的机器或车间时,必须考虑到所有的安装步骤。

安装设计必须考虑到所有的安装点、动力驱动方式、以及相关法规要求的安全保护装置,以免造成人身伤害。

## 安装

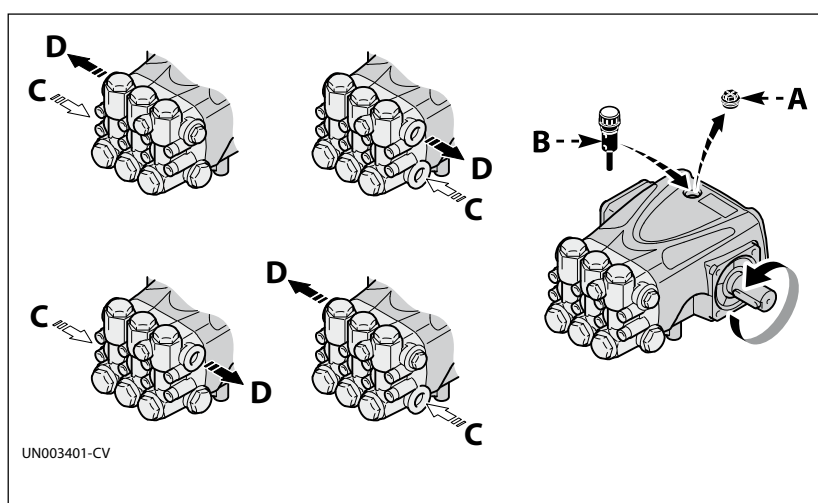
泵和动力装置之间的连接可以使用皮带轮、弹性联轴器或是直接通过法兰连接。

曲轴既可以顺时针也可逆时针方向转动。

供水系统需要连接到泵左侧或右侧的进水口(见下图)。只能将泵与经过过滤的清洁水源连接到一起。

拧下各端口上的螺塞。根据连接需要,不用的端口用螺栓拧紧。

在让泵开始运转前,必须用随机附送的呼吸嘴油尺(B)将运输途中使用的临时油塞堵头(A)更换下来。

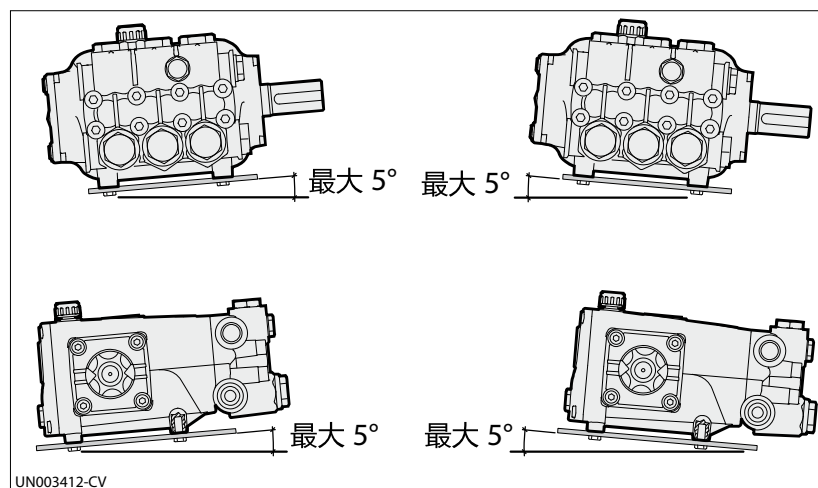


## 泵的安装固定

必须在水平表面安装该泵,安装表面不能有凸凹的现象,而且泵与安装面之间不得有活动部件。

下图显示的是安装时的最大允许角度。超过这一角度,曲轴系统的润滑将得不到保证。

通过泵体上的安装孔安装合适尺寸的螺丝,将泵固定好。





## 供水系统连接指南

泵的进水连接可以按照下面的方法进行操作：

- 连接到主供水管道
- 连接到水箱(重力供水)
- 连接到增压泵(增压泵供水)

各种连接都必须符合以下要求：

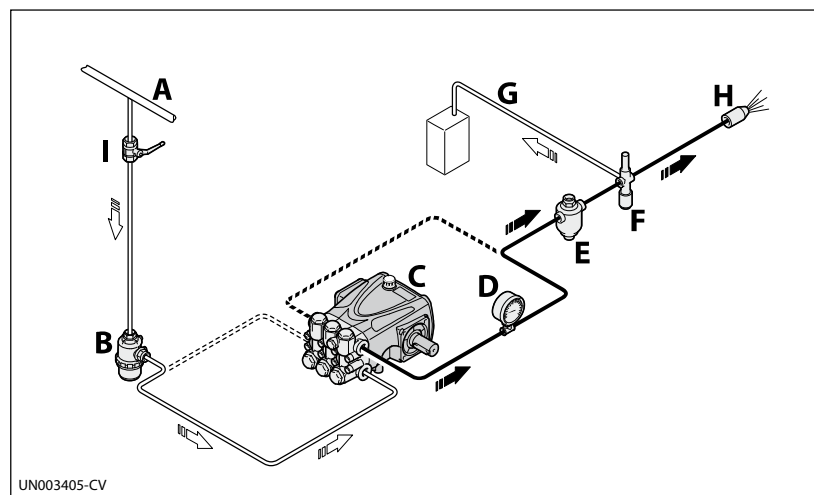
- 1) 泵的进水口连接处必须使用直径合适的抗压软管。(见“技术参数”)
- 2) 软管一定要保持通畅无弯曲和扭结的地方。
- 3) 泵的进水口处必须安装合适的过滤器。(见“技术参数”)
- 4) 所有接头和进水管道之间的连接处必须做好密封处理,以防止泵吸入空气。
- 5) 所有水管和接头都必须与泵的运行压力和输出流量相匹配,而且必须符合相关规定。
- 6) 为了确保运行安全,要选择合适的,与泵参数相匹配的调压阀安装在泵的出水口处,并且要设置相关的回水系统。
- 7) 一定不要将调压阀的回水管与泵的进水管相连。一定要避免调压阀的回水管路直接连到泵的进水供水系统。
- 8) 在泵的回水系统安装相应的减压装置以最大程度的减少水压对水管的冲击损害。

## 连接主供水管道

供水管的连接必须参照推荐的规范进行操作：

- 1) 主供水管系统的流量必须是泵的正常工作流量的两倍,压力为2-3bar。
- 2) 采取“供水系统连接指南”中介绍的所有预防措施。

下面是泵与主供水管连接的简单图解。



- A) 主供水管
- B) 进水口过滤器
- C) 高压泵
- D) 压力表
- E) 储能器
- F) 调压阀(回水阀)
- G) 排水管
- H) 喷嘴
- I) 主供水管开关

UN003405-CV



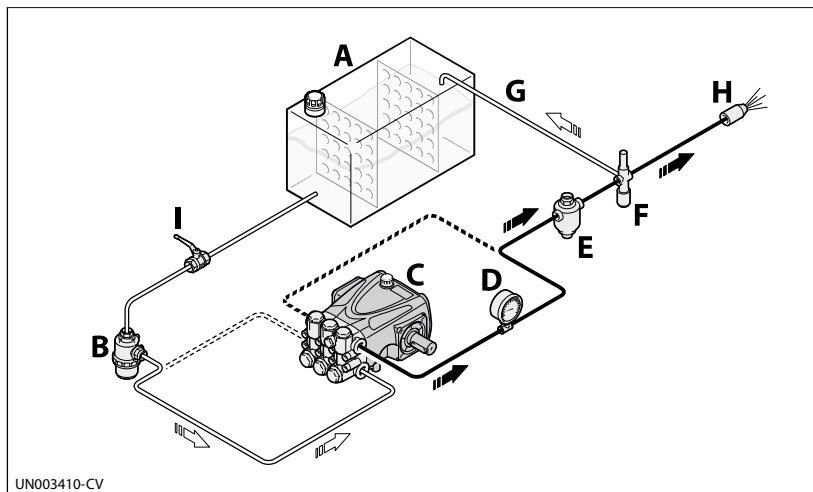


### 连接水箱 (重力式供水)

连接必须参照推荐的规范进行操作。

- 1) 泵必须安装在低于水箱进水的位置。
- 2) 水箱上必须有挡板防止水溅洒出来,水箱的容量必须至少是泵额定流量的10倍。
- 3) 泵的进水口处直接测量的自吸压力不能大于0.1bar,而且水温不能超过30°C。
- 4) 采取“供水系统连接指南”中介绍的所有预防措施。

下面是泵与水箱连接的简单图解。



- A) 水箱
- B) 进水过滤器
- C) 高压泵
- D) 压力表
- E) 储能器
- F) 调压阀
- G) 排水管
- H) 喷嘴
- I) 主供水管开关

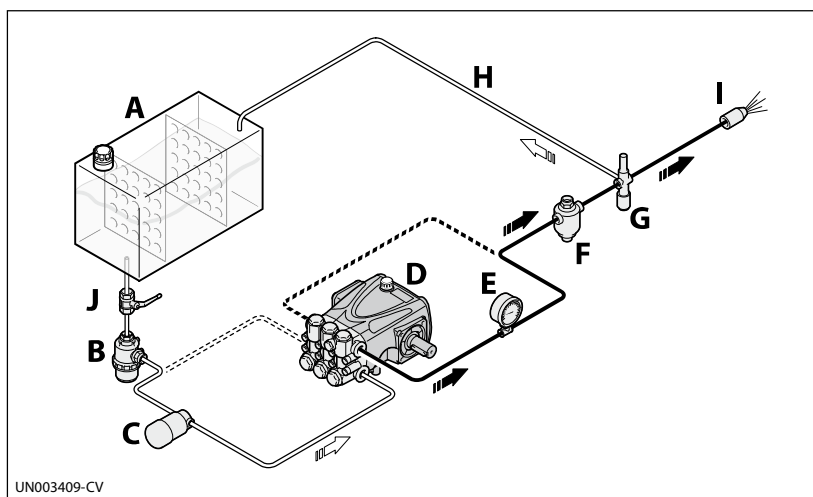
UN003410-CV

### 连接增压泵 (增压泵供水)

连接必须参照推荐的规范进行操作。

- 1) 增压泵的流量必须是高压泵正常工作流量的两倍,运行压力为2-3bar。
- 2) 采取“供水系统连接指南”中介绍的所有预防措施。

下面是泵与增压泵连接的简单图解。



- A) 水箱
- B) 进水过滤器
- C) 增压泵
- D) 高压泵
- E) 压力表
- F) 储能器
- G) 调压阀
- H) 排水管
- I) 喷嘴
- J) 主供水管开关

UN003409-CV



## 使用注意事项

启动之前, 操作员必须进行必要的安全检查。

高压管路漏水时, 立刻停止泵的运转并排除漏水原因。

泵的使用不能超过生产商规定的标准参数范围。

在环境温度接近 $0^{\circ}\text{C}$ 的情况下, 如果需要关闭系统, 要在关闭进水后继续运行该泵10秒钟 (在停止系统运行前), 保证让泵和整个管路内的水全部由排水管道排出, 防止泵内结冰。

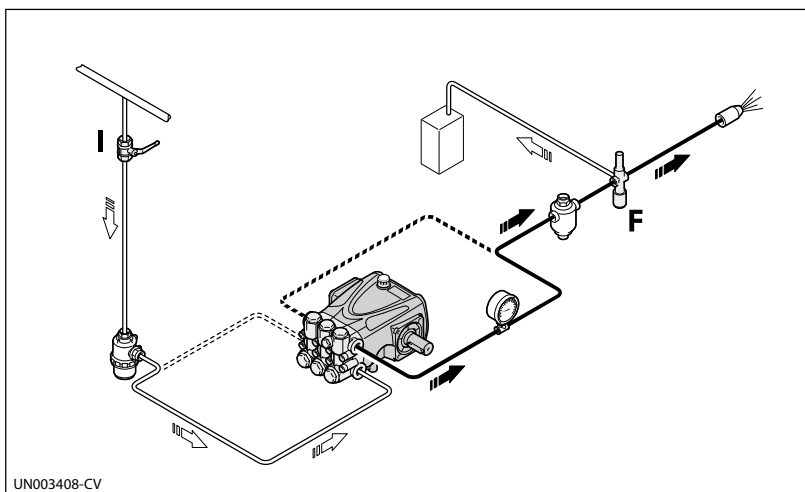
## 连接自来水管时泵的启动和关闭

请按照以下步骤启动水泵:

- 1) 打开主供水管道开关(I).
- 2) 打开调压阀(F)卸压。
- 3) 启动水泵, 在无压力的情况下运行几分钟。
- 4) 调节调压阀(F)使泵达到所需工作压力。

请按照以下步骤停止泵的运转:

- 1) 打开调压阀(F)卸压。
- 2) 关闭泵。
- 3) 关闭主供水管道开关(I)。



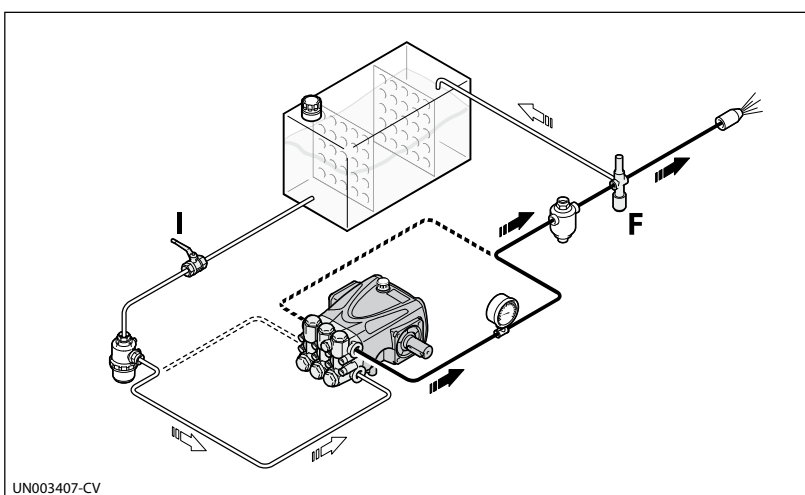
## 水箱供水时泵的启动和关闭

请按照以下步骤启动水泵:

- 1) 打开主供水管道开关(I).
- 2) 打开调压阀(F)卸压。
- 3) 启动水泵, 在无压力的情况下运行几分钟。
- 4) 调节调压阀(F)使泵达到所需工作压力。

按照以下步骤停止泵的运转:

- 1) 打开调压阀(F)卸压。
- 2) 关闭泵。
- 3) 关闭主供水管道开关(I)。





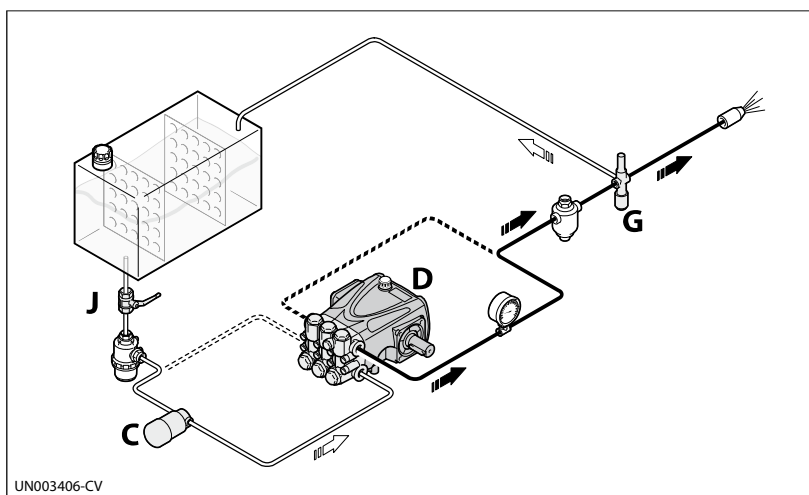
### 增压泵供水时泵的启动和关闭

请按照以下步骤启动水泵：

- 1) 打开主供水管道开关(J)。
- 2) 打开调压阀(G)卸压。
- 3) 启动增压泵(C)。
- 4) 启动泵(D)在无压力的情况下运转几分钟。
- 5) 调节调压阀(G)使泵达到所需工作压力。

按照以下步骤停止泵的运行：

- 1) 打开调压阀(G)卸压。
- 2) 关闭泵(D)。
- 3) 关闭增压泵(C)。
- 4) 关闭供水管开关(J)。





## 保养注意事项

在进行任何保养工作之前,首先要卸掉整个系统回路中的所有压力,并切断驱动泵的所有动力。  
保养结束后,在重新启动水泵前,要检查是否有工具、抹布或其他物件在运转部件或危险区域附近。  
使用原装零件更换过度磨损的零件,并且使用制造商推荐的润滑油。  
根据相关法律规定处理磨损的零件和润滑油。  
按照制造商提供的说明进行日常保养,以保持泵的性能和安全性。

定期保养			
保养间隔	零部件	步骤	参考
每个工作日	过滤器	检查过滤器滤芯	见“检查过滤器”
	泵	检查油位	见“检查油位”
每工作50小时	泵与动力装置的连接 (皮带轮,皮带,联轴器)	检查	-
	泵	检查安装件	见“检查泵的安装件”
	管道和接头	检查	见“检查管道和接头”
	泵	更换油(1)	见“换油”
每工作500小时或每年	泵	换油	见“换油”
每工作1000小时	泵的垫片	更换	联系授权服务中心
	单向阀	更换	联系授权服务中心

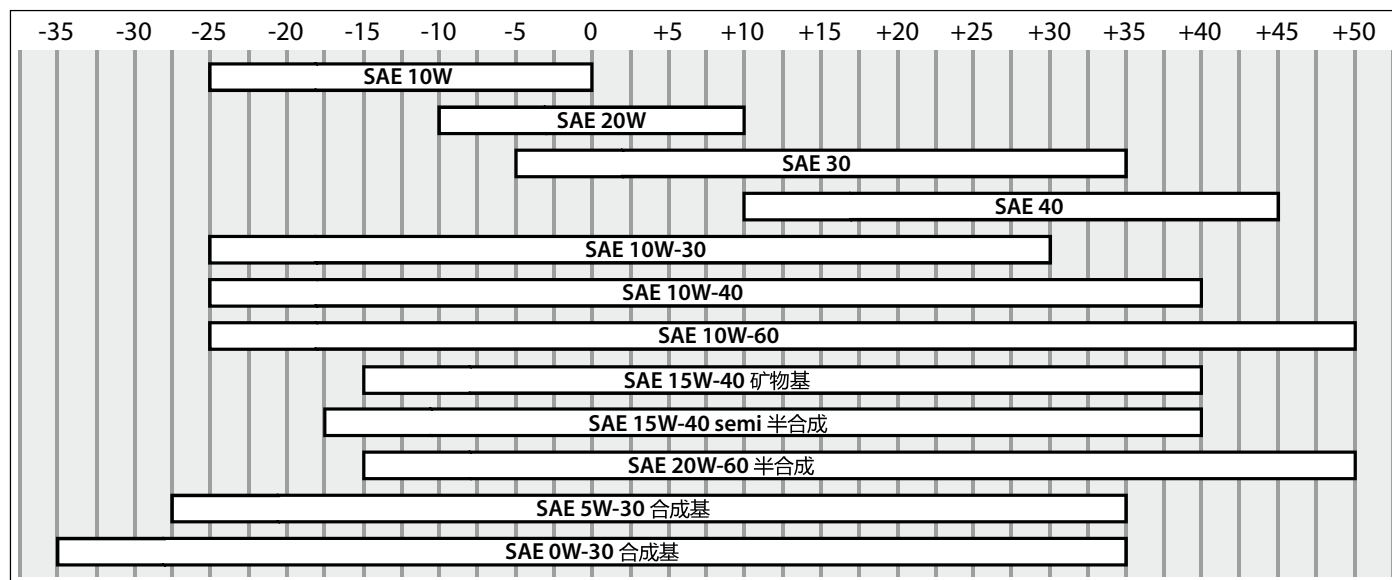
(1) 仅供第一次换油时参考



### 润滑油表

泵在出厂时已经上好润滑油，润滑油的参数已经标注在泵的铭牌上。  
更换油时，使用适合作业环境的油（见附录中的建议，以及“操作条件”）。

润滑油粘度的选择需要根据外界温度来确定。  
请根据下图来选择适合作业环境温度的润滑油。





## 检查泵的安装件

检查泵的固定螺钉是否有松动。

需要时,按照安装设计中规定的扭矩紧固螺钉。

## 检查管路和接头

### - 检查接头处是否泄漏

一般情况下,将接头处适当紧固便可以解决泄漏问题。

如果进口管路接头处泄漏,则必须修理密封件。

### - 检查软管

如果管路有老化、破损、突起和磨损等情况,必须更换。

## 检查过滤器

### - 检查过滤器滤芯

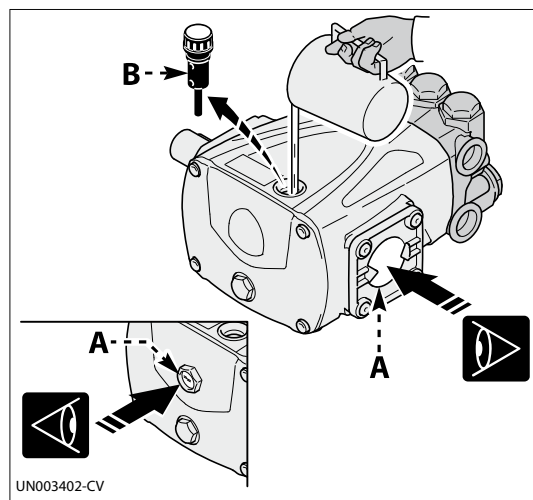
如果过滤器滤芯污染或损坏,请参照过滤器制造商提供的详细说明来修复滤芯。

## 检查油位

- 在泵处于水平位置和冷却状态的情况下检查油位。
- 通过液位计(A)检查油量。
- 需要时,按照“润滑油表”中规定的牌号和规格来加油。

按照以下步骤来加油:

- 1) 拧下螺塞(B)加油,直到油位处于液位计(A)刻度的一半以上。
- 2) 拧上螺塞(B)。



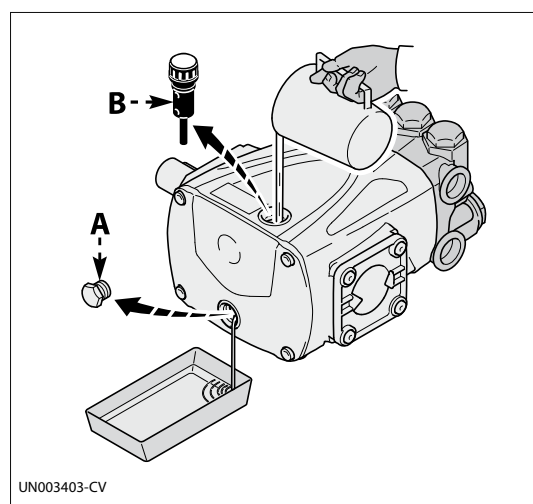
## 换油

在泵稍微温热的情况下,将泵所在的设备置于完全水平的表面。  
不要将油排放到自然环境中。

根据相关法律规定来处理用过的油。

更换油时,请按照以下步骤进行操作:

- 1) 使用合适的容器来收集使用过的油。
- 2) 拧下排油口塞(A),排出所有的油。
- 3) 拧上油塞(A)。
- 4) 拧下机油尺(B)。
- 5) 通过加油口添加新油至适当的油位(见“检查油位”)。
- 6) 拧上机油尺(B)。





### 泵的保养

---

如果长时间不使用泵，请按以下步骤进行操作：

- 1) 用清水运转泵几分钟。
  - 2) 关闭水源后，运转泵10秒钟，清空泵和管路中的水，以防止产生水垢。
  - 3) 用水或相关法律许可使用的溶剂来冲洗泵。
  - 4) 用压缩空气吹干泵。
  - 5) 采取适当的防护措施，避免受到环境影响。
- 

### 泵的重新使用

---

重新使用长期闲置的泵之前，要检查油位和安装螺钉的紧固情况。

---

### 泵的报废

---

报废的泵必须由熟练的技术人员拆除，而且要符合关于职业安全的法律规定。

拆除的零件必须按零件的材料进行分类，不要将密封件和润滑油等污染物直接丢弃到自然环境中。

根据关于废物处理和回收的法律规定进行处理。



下面的信息用于指导操作人员排除使用过程中出现的故障。

因可能涉及更复杂的维修操作知识，并且需要使用相关专业维修工具，所以某些出现故障的泵需由专业技术人员处理或送交授权维修中心。

问题	原因	处理方法
泵在运转时不出水	供水有问题	打开供水阀
		确认供水管路是否处于折叠状态
		进水压力过小, 安装增压泵
		勿使空气进入供水管路
泵的压力达不到额定工作压力	泵吸入空气	紧固进水管路
	进水流量不足	更换大尺寸的进水管路
		排除管路扭结情况
		提高过滤器容量或清洁滤芯
		提高转速至额定速度
	进水口和出水口单向阀磨损	更换单向阀(1)
	调压阀座磨损	更换调压阀座
	密封件磨损	更换密封件(1)
喷嘴不适合、磨损	更换喷嘴	
泵的压力不稳	进水口和出水口单向阀磨损	更换单向阀(1)
	单向阀有异物堵塞	清洁单向阀(1)
	系统吸入空气	紧固进水管接头
	密封件磨损	更换密封件(1)
管路震动	单向阀堵塞	更换单向阀(1)
	调压阀故障	更换调压阀
	调压阀回水排放管路太小	更换大尺寸的回水排放管
	压力缓冲器无压力	设置合适的膨胀压力
	泵吸入空气	紧固进水管
压力下降	喷嘴磨损	更换喷嘴
	进水口和出水口单向阀磨损	更换单向阀(1)
	单向阀有异物堵塞	清洁单向阀(1)
	调压阀座损坏	更换调压阀座
	密封件磨损	更换密封件(1)
泵噪音大 连杆磨损	系统吸入空气	紧固进水口处的接头
	进水口和出水口单向阀弹簧损坏或破裂	更换单向阀弹簧(1)
	单向阀有异物堵塞	清洁单向阀(1)
	轴承磨损	更换轴承(1)
	进水温度过高	降低进水温度
泵温度过高	泵运行压力过高	降低压力至额定压力
	驱动皮带过紧	恢复正常的皮带张力
	滑轮和驱动联轴器没有校准	重新校准

(1)必须通过授权服务中心进行的操作





问题	原因	处理方法
曲轴箱进水	柱塞环和柱塞密封件磨损	更换柱塞环和密封件(1)
	空气湿度过高	将油的更换频率提高一倍(与“日常保养表”相比)
	密封件磨损	更换密封件(1)
泵下面的排油管漏油	密封件磨损	更换密封件(1)
	柱塞损坏	更换柱塞(1)
	柱塞环和柱塞密封件磨损	更换密封件(1)

(1)必须通过授权服务中心进行的操作

**COPYRIGHT** - The contents of this booklet are the property of Annovi Reverberi. Reproduction and divulgation, in whole or in part, are prohibited by law.

**COPYRIGHT** - Il contenuto di questo libretto è di proprietà di Annovi Reverberi, ne è vietata la riproduzione e/o la divulgazione, anche parziale, a termini di legge.

**版权** - 这本手册的内容是Annovi Reverberi的财产。未经授权任何人不得以任何方式或形式对本手册内的任何部分进行复制、摘录、备份、修改、传播、翻译成其它语言。

- 
- **Pictures, explanations and technical details of this catalogue are supplied in indicative mood and without any time bond. Consequently AR has the right to make changes, without notice, for the sake of improving the products or for any constructive or commercial requirement.**
  - **Le illustrazioni e i dati tecnici presenti in questo catalogo si intendono a titolo indicativo e non sono vincolanti. AR si riserva il diritto di modificare, senza preavviso, i dati tecnici e le caratteristiche dei prodotti in qualsiasi momento al solo scopo di migliorarne le caratteristiche.**
  - **本手册中提供的所有图片、信息和技术数据相信均是准确的，但并不就此作任何明示或暗示的保证。基于不断提升产品性能或其商业要求的原因，AR保留对本手册更正或更改其中的信息及说明的权利，恕不另行通知而不承担任何责任。**



**Annovi Reverberi s.p.a.**  
Via M.L.King 3  
41122 Modena (Italy)  
[www.annovireverberi.it](http://www.annovireverberi.it)

