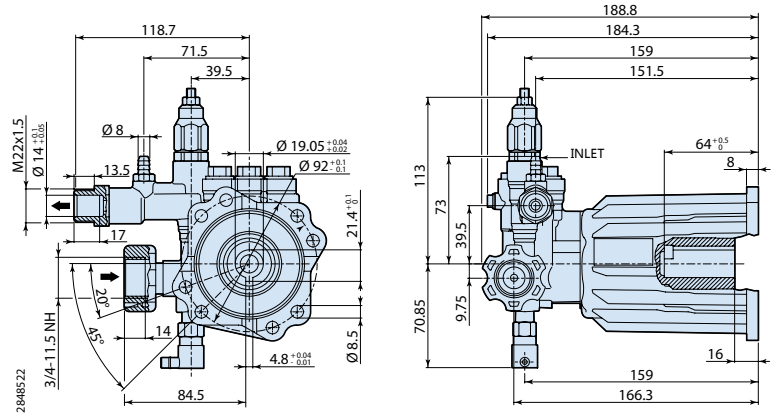


BRASS HEAD



ALU HEAD



RMV 3400 RPM D version 3/4" with gas engine flange

Model	Flow		Pressure		Power		Weight kg	RPM	TRV	Inlet	Outlet	Code
	l/min	gpm	bar	psi	hp	kw						
RMV 2.2G24 - ALU HEAD	8,3	2.20	165	2400	4.5	3.3	2.5	3400	NO	GHA (NH 3/4"F)	M22x1,5	23926
									YES	GHA (NH 3/4"F)	M22x1,5	23754
									YES	GHA (NH 3/4"F)	QC	23580
									YES	3/4"GM	QC	23294
SRMV 2.2G26 - ALU HEAD	8,3	2.20	180	2600	5.0	3.8	3.0	3400	YES	GHA (NH 3/4"F)	M22x1,5	25027
SRMV 2.2G28 - ALU HEAD	8,3	2.20	190	2800	5.5	4.1	3.0	3400	YES	GHA (NH 3/4"F)	M22x1,5	25028
RMV 2.5G30 - BRASS HEAD	9,5	2.50	200	3000	6.5	4.7	4.0	3400	YES	GHA (NH 3/4"F)	M22x1,5	24462
									YES	GHA (NH 3/4"F)	QC	23394
									YES	3/4"GM	QC	22437