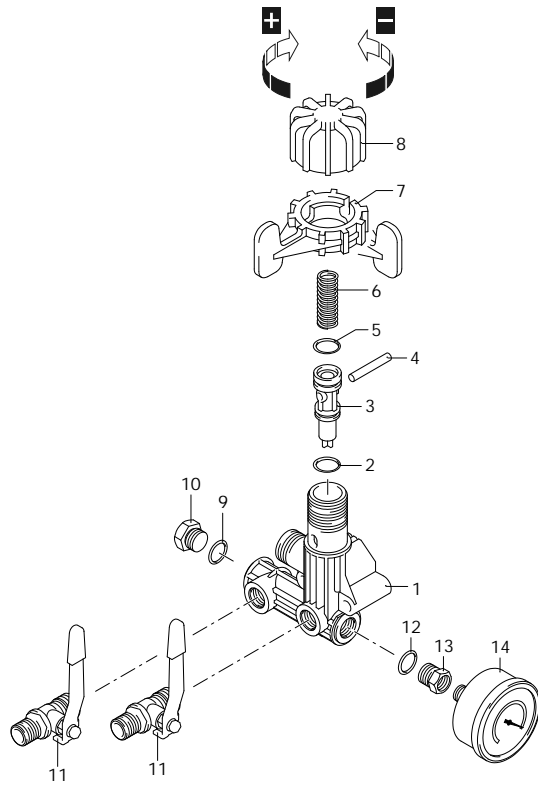




GR 40

880 GR 40

880



Code	Description	Q	Note	Validity
1	1880200 Valve body			1
2	1880260 O-ring	Ø 15,08x2,62		1
3	1889201 Shutter			1
4	1880240 Pin			1 Lubricate Molykote PG54
5	480441 O-ring	Ø 17,13x2,62 Viton		1 Lubricate Molykote G-807
6	1880271 Spring			1
7	1880210 Ring nut			1 Lubricate Molykote PG54
8	1880220 Knob			1
9	740290 O-ring	Ø 14x1,78		1 Lubricate Molykote PG54
10	2841240 Plug			1 C=10Nm
11	1880491 Valve	3/8" G - 1/2" G (M-M)		2 C=10Nm
12	740290 O-ring	Ø 14x1,78		1 Lubricate Molykote PG54
13	1880250 Fitting			1 C=2Nm / Loxeal 55-14
14	1880290 Pressure gauge	Ø63 - 0÷80bar		1
880	880 Control units			1

AR_05_023_v01

Customer: AR
Customer Code:



Revision: 1

Date: 05/07/2024

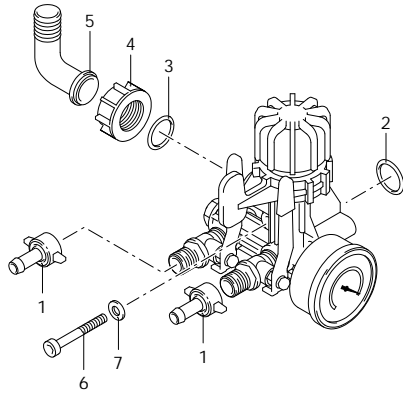
Validity: < XX/YY = From week/year



GR 40

880 GR 40

KIT
976



Code	Description		Q	Note	Validity
1	110131 Ring nut	1/2" G	2		
2	1140450 O-ring	Ø 20,24x2,62	1	Lubricate Molykote PG54	
3	880830 O-ring	Ø 15,54x2,62	1	Lubricate Molykote G-807	
4	550450 Ring nut	3/4" G	1		
5	550460 Elbow	Ø 18	1		
6	680360 Screw	TCEI M8x50	2	C=20Nm	
7	390311 Washer		2		
976	976 Kit for built-in control unit		1		

AR_05_024_v01

Customer: AR
Customer Code:



Revision: 1

Date: 05/07/2024

Validity: < XX/YY = From week/year

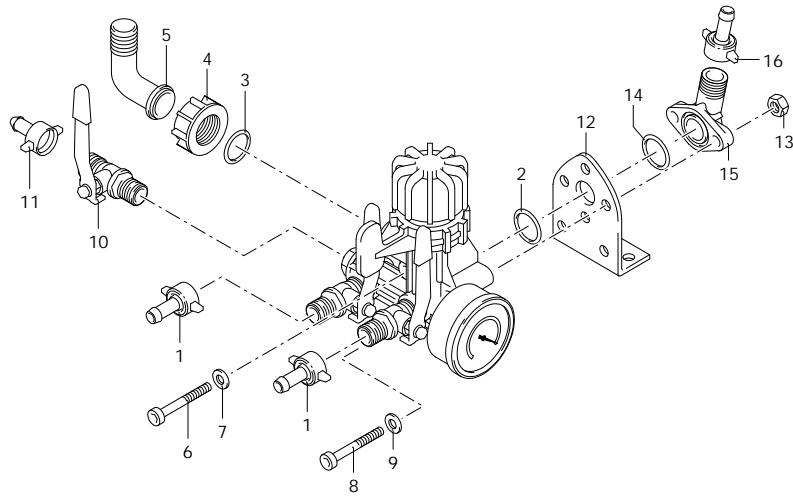


GR 40

880 GR 40

KIT

893



Code	Description		Q	Note	Validity
1	110131 Ring nut	1/2" G	2		
2	1140450 O-ring	Ø 20,24x2,62	1	Lubricate Molykote PG54	
3	880830 O-ring	Ø 15,54x2,62	1	Lubricate Molykote G-807	
4	550450 Ring nut	3/4" G	1		
5	550460 Elbow	Ø 18	1		
6	680360 Screw	TCEI M8x50	2	C=20Nm	
7	390311 Washer		2		
8	1880310 Screw	TCEI M8x65	2		
9	390311 Washer		2		
10	1880491 Valve	3/8" G - 1/2" G (M-M)	1	C=10Nm	
11	110131 Ring nut	1/2" G	1		
12	320406 Bracket		1		
13	390270 Nut	M8	2	C=10Nm	
14	550350 O-ring	Ø 23,81x2,62	1	Lubricate with Mineral Grease	
15	450145 Flange		1		
16	110130 Ring nut	1/2" G	1		
893	893 Kit for remote control unit		1		

AR_05_025_v01

Customer: AR
Customer Code:



Revision: 1

Date: 05/07/2024

Validity: < XX/YY = From week/year

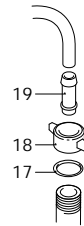
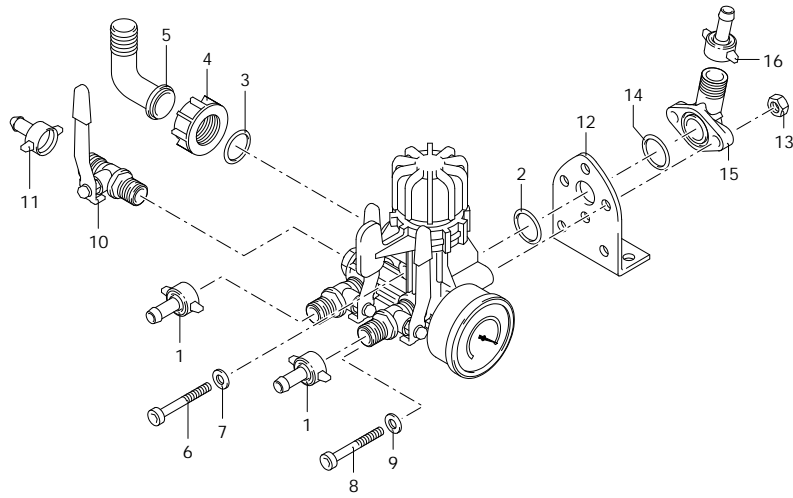


GR 40

880 GR 40

KIT

894



Code	Description		Q	Note	Validity
1	110131 Ring nut	1/2" G	2		
2	1140450 O-ring	Ø 20,24x2,62	1	Lubricate Molykote PG54	
3	880830 O-ring	Ø 15,54x2,62	1	Lubricate Molykote G-807	
4	550450 Ring nut	3/4" G	1		
5	550460 Elbow	Ø 18	1		
6	680360 Screw	TCEI M8x50	2	C=20Nm	
7	390311 Washer		2		
8	1880310 Screw	TCEI M8x65	2		
9	390311 Washer		2		
10	1880491 Valve	3/8" G - 1/2" G (M-M)	1	C=10Nm	
11	110131 Ring nut	1/2" G	1		
12	320406 Bracket		1		
13	390270 Nut	M8	2	C=10Nm	
14	550350 O-ring	Ø 23,81x2,62	1	Lubricate with Mineral Grease	
15	450145 Flange		1		
16	110130 Ring nut	1/2" G	1		
17	880830 O-ring	Ø 15,54x2,62	1	Lubricate Molykote G-807	
18	1150580 Hose tail	Ø 13	1		
19	1040790 Ring nut	3/4" G	1		
894	894 Kit for remote control unit		1		

AR_05_026_v01

Customer: AR

Customer Code:



Revision: 1

Date: 05/07/2024

Validity: < XX/YY = From week/year