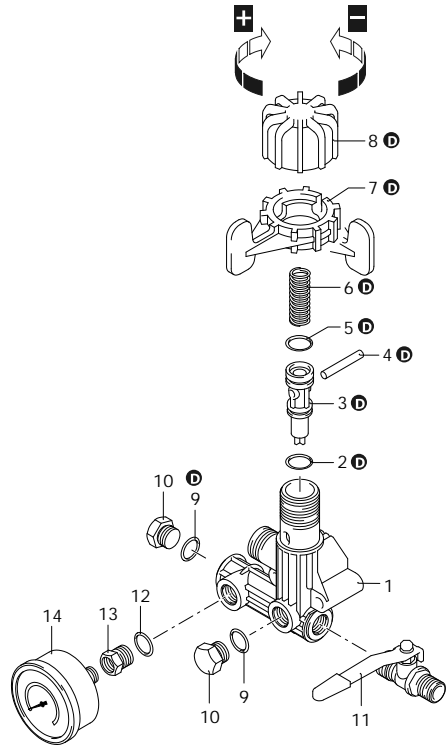




GR 30

879 GR 30

879



Code	Description	Q	Note	Validity
1	1880200 Valve body			1
2	1880260 O-ring	Ø 15,08x2,62		1
3	1889206 Shutter			1
4	1880240 Pin			1
5	480441 O-ring	Ø 17,13x2,62 Viton		1
6	1880331 Spring			1
7	1880210 Ring nut			1
8	1880220 Knob			1
9	740290 O-ring	Ø 14x1,78		2
10	2841240 Plug			2
11	1880491 Valve	3/8" G - 1/2" G (M-M)		1
12	740290 O-ring	Ø 14x1,78		1
13	1880250 Fitting			1
14	1880340 Pressure gauge	Ø50 - 0÷50bar		1
D	2411 Maintenance repair kit			1
879	891 Kit for built-in control unit			1

AR_05_006_v01

Customer: AR
Customer Code:



Revision: 1

Date: 05/07/2024

Validity: < XX/YY = From week/year

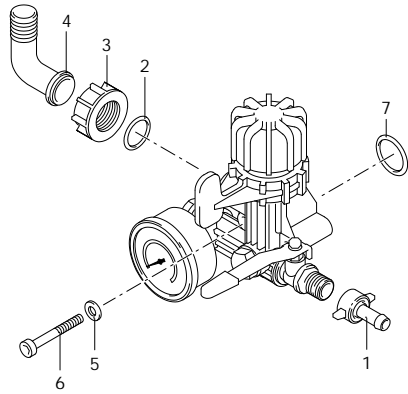


GR 30

879 GR 30

KIT

891



Code	Description		Q	Note	Validity
1	110131 Ring nut	1/2" G	1		
2	880830 O-ring	Ø 15,54x2,62	1	Lubricate Molykote G-807	
3	550450 Ring nut	3/4" G	1		
4	550460 Elbow	Ø 18	1		
5	550331 Washer		2		
6	801080 Screw	TCEI M6x50	2	C=10Nm	
7	1140450 O-ring	Ø 20,24x2,62	1	Lubricate Molykote PG54	
891	891 Kit for built-in control unit		1		

AR_05_008_v01

Customer: AR
Customer Code:



Revision: 1

Date: 05/07/2024

Validity: < XX/YY = From week/year

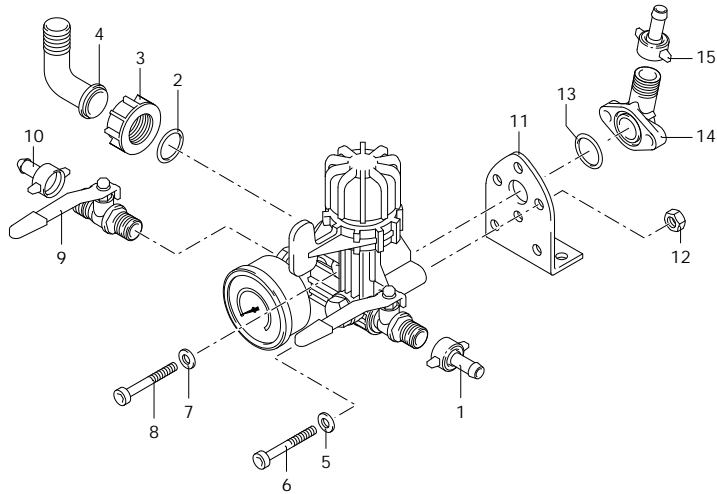


GR 30

879 GR 30

KIT

892



Code	Description	Q	Note	Validity
1	110131 Ring nut	1/2" G	1	
2	880830 O-ring	Ø 15,54x2,62	1	Lubricate Molykote G-807
3	550450 Ring nut	3/4" G	1	
4	550460 Elbow	Ø 18	1	
5	1880310 Screw	TCEI M8x65	2	
6	390311 Washer		2	
7	550331 Washer		2	
8	801080 Screw	TCEI M6x50	2	C=10Nm
9	1880492 Valve	3/8" G - 1/2" G (M-M)	1	
10	110131 Ring nut	1/2" G	1	
11	320406 Bracket		1	
12	390270 Nut	M8	2	C=10Nm
13	550350 O-ring	Ø 23,81x2,62	1	Lubricate with Mineral Grease
14	450145 Flange		1	
15	110130 Ring nut	1/2" G	1	
892	892 Kit for remote control unit		1	

AR_05_011_v01

Customer: AR

Customer Code:



Revision: 1

Date: 05/07/2024

Validity: < XX/YY = From week/year