



RP-600 Series 6 Roller Pump

Ace Roller Pumps are ideal for a large range of spraying, cleaning, and transfer applications.

Benefits of these pumps include:

- A compact, low cost design
- Mount directly to common tractor PTO shafts with optional PTO coupler.
- Available counter clockwise standard rotation or "-R" reverse rotation clockwise models



SPECIFICATIONS

Pump Specifications

Ports	3/4" x 3/4" NPT
Max. Flow	21.8 GPM (82.5 LPM)
Max. Pressure	300 PSI (20.7 BAR)
Rotation	Counter clockwise from shaft end -R model is clockwise from shaft end
Speed	540 - 1200 RPM
Construction	Cast Iron
Seals	FKM Lip Type
Shaft	5/8" Stainless Steel
Bearings	Sealed for long life
Rotor	Cast Iron
Rollers	Thermoplastic with metal core
Fluid Temperature	Maximum 140°F (60°C)

Available Models

RP-600C
RP-600C-R

PERFORMANCE

Imperial	540 RPM		1000 RPM		1200 RPM	
	PSI	GPM	HP	GPM	HP	GPM
0	9.7	0.80	18.2	0.20	21.8	0.30
50	8.0	0.38	16.5	0.71	20.1	0.90
100	7.2	0.68	15.4	1.26	19.1	1.51
150	6.6	0.97	14.7	1.80	18.2	2.14
200	5.6	1.29	14.0	2.34	17.3	2.84
250	4.9	1.65	13.4	2.91	16.5	3.48
300	4.3	1.91	12.7	3.47	15.7	4.17

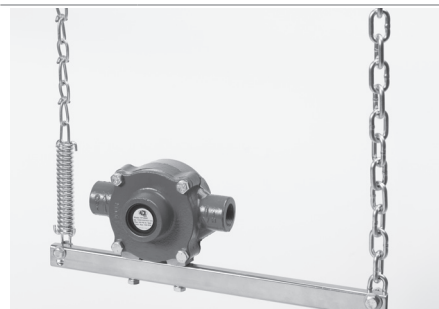
Metric	540 RPM		1000 RPM		1200 RPM	
	BAR	LPM	HP	LPM	HP	LPM
0	36.7	0.80	68.9	0.20	82.5	0.30
3.4	30.3	0.38	62.4	0.71	76.1	0.90
6.9	27.3	0.68	58.3	1.26	72.3	1.51
10.3	25.0	0.97	55.6	1.80	68.9	2.14
13.8	21.2	1.29	53.0	2.34	65.5	2.84
17.2	18.5	1.65	50.7	2.91	62.4	3.48
20.7	16.3	1.91	48.1	3.47	59.4	4.17

ACCESSORIES



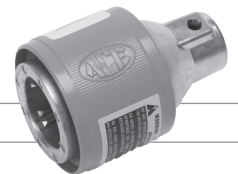
TORQUE BAR KIT

Part #	RP-TBK
EDP #	15100
Description	Torque bar kit for 6 and 8 roller models



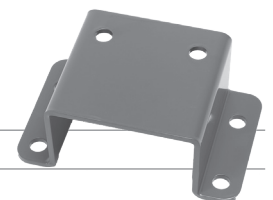
PTO COUPLER

Part #	BAC-10-RP6-QC
EDP #	14880
Description	Multispeed die cast coupler for 5/8" shaft



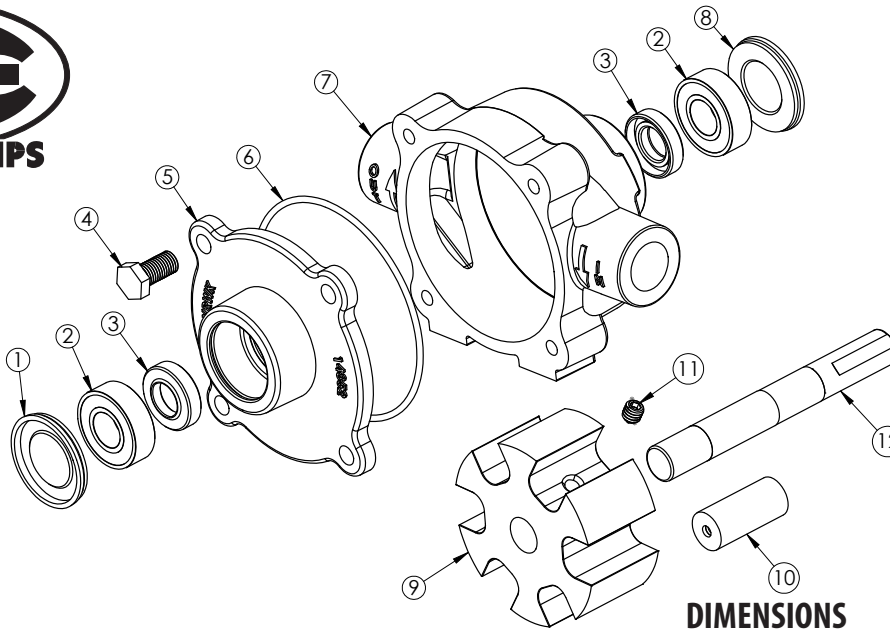
BASE PLATE

Part #	RP-BP6
EDP #	15205
Description	Base plate for gas engine mounting of RP-600C-R models





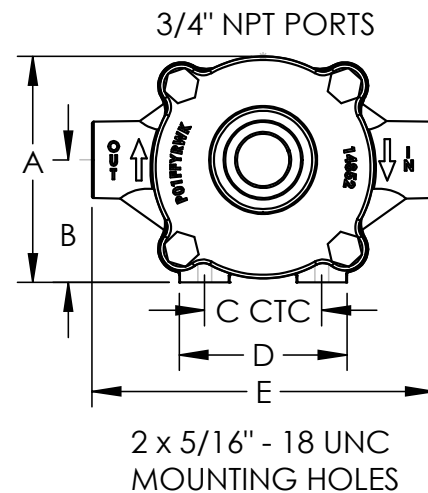
RP-600 Series



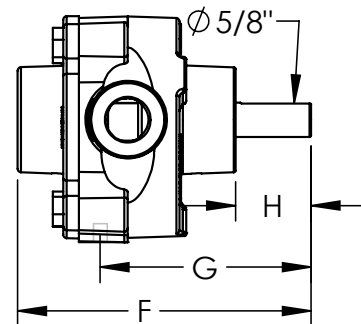
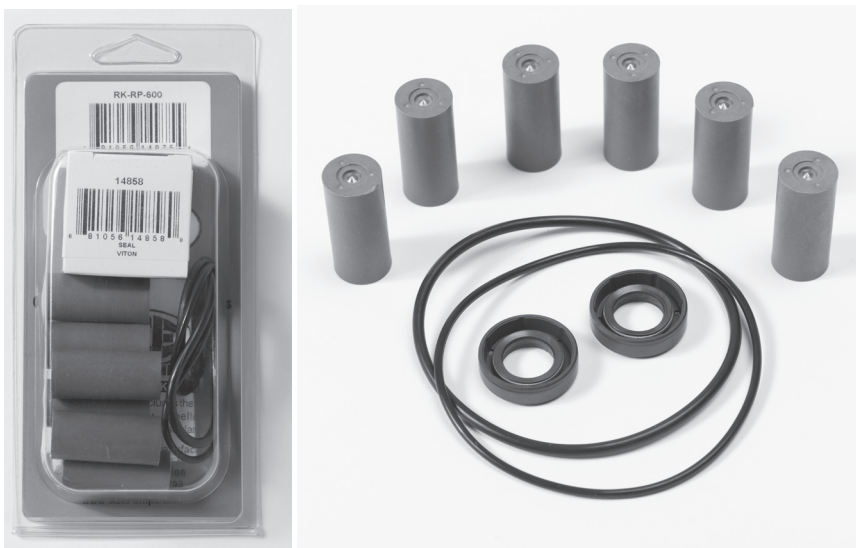
PARTS LIST

REF. #	PART NUMBER	EDP #	DESCRIPTION	REQ.
1	14863	14863	Dust cap, cover	1
2	14859	14859	Bearing, sealed	2
3①	14858	14858	Seal, FKM	2
4	GE-60	42230	Cap screw, 5/16" NF x 3/4"	4
5	14852	14852	End plate, cast iron	1
6①	14861	14861	O-ring, body seal	1
7	14851	14851	Body, cast iron	1
8	14864	14864	Dust cap, body	1
9	14853	14853	Rotor, cast iron, includes item 11	1
10①	14804	14804	Roller	6
11	BAC-57	41180	Set screw	1
12	14860	14860	Shaft, SS	1
①	RK-RP-600	14975	Repair kit, universal, includes items 3 (qty. 2), 6, and 10 (qty. 6)	-

DIMENSIONS



2 x 5/16" - 18 UNC
MOUNTING HOLES



Ref.	A	B	C	D	E	F	G	H
Inches	4.10	2.22	2.12	3.04	6.20	5.32	3.82	1.37
MM	104.1	56.4	53.8	77.2	157.5	135.1	97.0	34.8

Ace Pump Corporation • 1650 Channel Avenue • Memphis, TN 38113
www.AcePumps.com • Phone: 901-948-8514 • Fax: 901-774-6147

3D Model Available
<https://www.3DContentCentral.com/parts/supplier/Ace-Pumps.aspx>