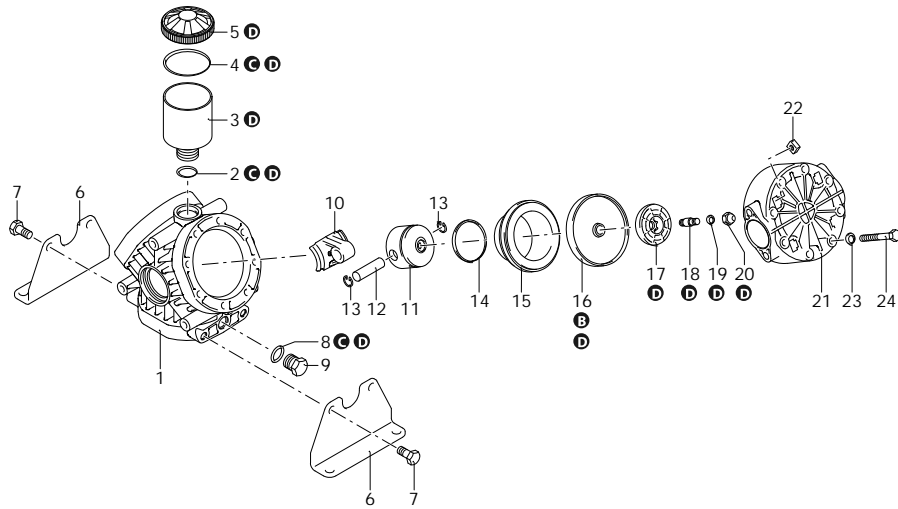




AR 45 BP

33103 AR 45 BP SP G.C.I. - BlueFlex + CR



Code	Description	Q	Note	Validity
1	3120010 Pump body	1		
2	720030 O-ring	Ø 22,22x2,62	1 Lubricate Molykote G-807	
3	3120240 Tank		1	
4	650920 O-ring	Ø 53,65x2,62	1 Lubricate with Mineral Grease	
5	1040320 Plug	red	1	
6	3120140 Foot		2	
7	620342 Screw	TE M10x20	4 C=30Nm	
8	740290 O-ring	Ø 14x1,78	1 Lubricate Molykote PG54	
9	880530 Plug	3/8" G	1 C=20Nm	
10	3120180 Connecting-rod		3	
11	3120070 Piston	Ø 54	3	
12	380300 Pin		3 Lubricate with Mineral Grease	
13	1880450 Ring	seeger Øi 14	6	
14	3120130 Piston ring		3	
15	3120090 Sleeve		3	
16	3120082 Diaphragm	BlueFlex - Øe 90	3	
17	3120120 Plate		3	
18	3120100 Hub pin		3 C=25Nm Loxeal 83-21	
19	3120760 Washer		3	
20	3120110 Nut	M8	3 C=20Nm	
21	3120020 Head		3	
22	3120510 Nut	M8	12	
23	3120760 Washer		24	
24	3120270 Screw	TE M8x65	24 C=10Nm Molykote 1000	
A	42524 Valve kit		1	
B	43080 Diaphragms kit	BlueFlex	1	
C	42525 O-ring kit		1	
D	47423 Maintenance repair kit	BlueFlex	1	
E	47184 Tank kit		1	

312_01-001_ar

Customer: AR
Customer Code:



SAE 30
0,600 Kg

Revision: 1

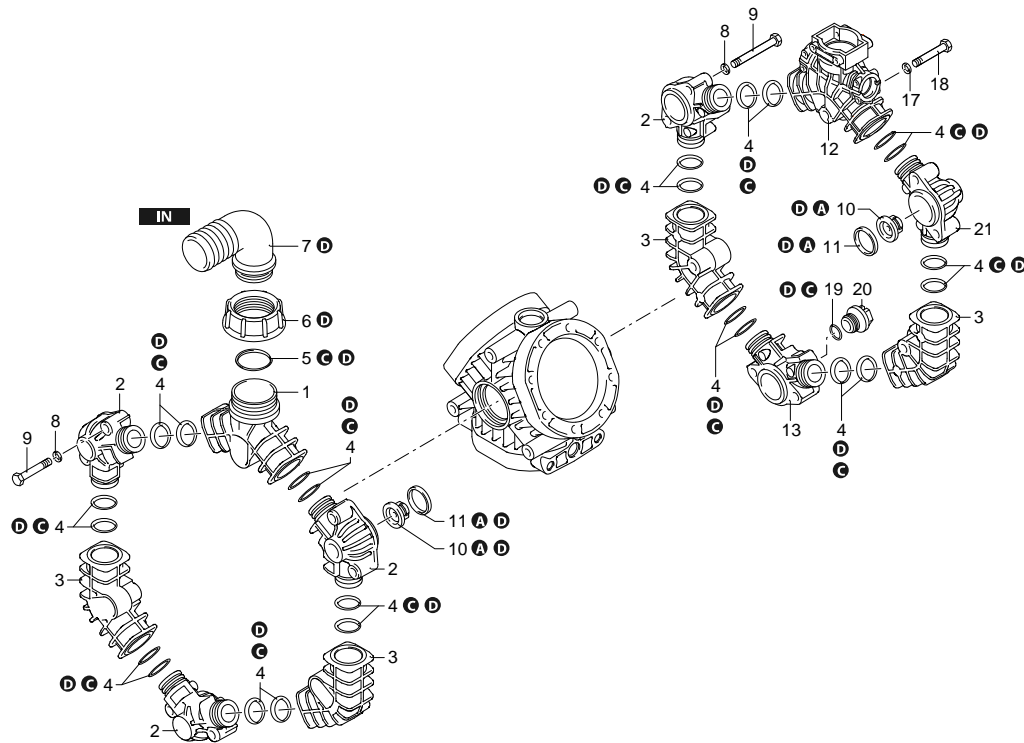
Date: 02/10/2024

Validity: < XX/YY = From week/year



AR 45 BP

33103 AR 45 BP SP G.C.I. - BlueFlex + CR



Code	Description		Q	Note	Validity
1	3120410 Line	intake	1		
2	3120050 Line	delivery	4		
3	3120060 Line	intake/delivery	4		
4	720030 O-ring	Ø 22,22x2,62	24	Lubricate Molykote G-807	
5	390290 O-ring	Ø 29x3	1	Lubricate Molykote PG54	
6	750670 Ring nut	1" 1/2 G	1		
7	3040160 Elbow	Ø 35	1		
8	3120760 Washer		12		
9	3120250 Screw	TE M8x60	12	C=10Nm	
10	3129050 Complete valve		6		
11	3120230 Gasket		6	Lubricate with P-40 Grease	
12	3120330 Line	delivery	1		
13	3120051 Line		1		
17	3120760 Washer		6		
18	621781 Screw	TE M8x40	6	C=10Nm Molykote 1000	
19	2840890 O-ring	Ø 14x2	1	Lubricate Molykote PG54	
20	3120690 Plug	3/8" G	1		
21	3120050 Line	delivery	1		
A	42524 Valve kit		1		
B	43080 Diaphragms kit	BlueFlex	1		
C	42525 O-ring kit		1		
D	47423 Maintenance repair kit	BlueFlex	1		

312_02-003_ar

Customer: AR
Customer Code:



SAE 30
0,600 Kg

Revision: 1

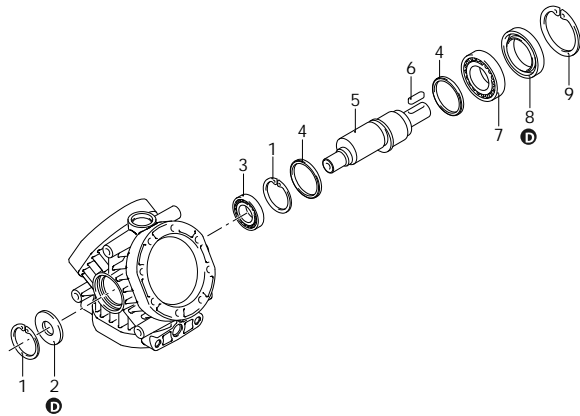
Date: 02/10/2024

Validity: < XX/YY = From week/year



AR 45 BP

33103 AR 45 BP SP G.C.I. - BlueFlex + CR



Code	Description		Q	Note	Validity
1	1460490 Ring	seeger Øi 47	2		
2	3120640 Ring	seal	1		
3	380230 Bearing		1	Press Mount	
4	1300120 Ring	Connecting-rod	2		
5	3120170 Shaft	DL marked	1		
6	2280950 Key		1		
7	961780 Bearing		1		
8	3120160 Ring	seal	1	Lubricate with motor oil	
9	961790 Ring	seeger Øi 68	1		
A	42524 Valve kit		1		
B	43080 Diaphragms kit	BlueFlex	1		
C	42525 O-ring kit		1		
D	47423 Maintenance repair kit	BlueFlex	1		

312_03-002_ar

Customer: AR
Customer Code:



SAE 30
0,600 Kg

Revision: 1

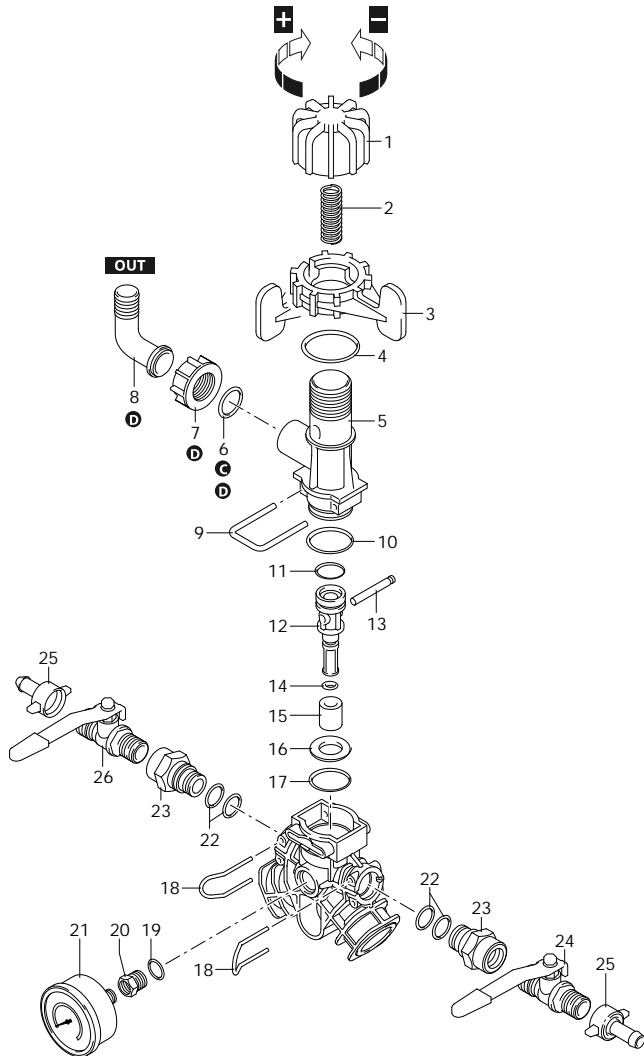
Date: 02/10/2024

Validity: < XX/YY = From week/year



AR 45 BP

33103 AR 45 BP SP G.C.I. - BlueFlex + CR



Code	Description	Q	Note	Validity
1	1880220 Knob	1		
2	3120370 Spring	1		
3	1880210 Ring nut	1	Lubricate Molykote PG54	
4	961240 O-ring	1	Ø 31,47x1,78	
5	3120280 Body	1	Lubricate Molykote PG54	
6	880830 O-ring	1	Ø 15,54x2,62	Lubricate Molykote G-807
7	550450 Ring nut	1	3/4" G	
8	550460 Elbow	1	Ø 18	
9	3120320 Fork	1		
10	880310 O-ring	1	Ø 26,65x2,62	
11	480440 O-ring	1	Ø 17,13x2,62	Lubricate Molykote G-807
12	3120290 Piston	1	upper	Lubricate Molykote PG54
13	1880240 Pin	1		Lubricate Molykote PG54
14	880310 O-ring	1	Ø 26,65x2,62	
15	3120301 Piston	1	lower	
16	3120311 Spacer	1	delivery	
17	880830 O-ring	1	Ø 15,54x2,62	Lubricate Molykote G-807
18	392580 Fork	2		
19	2840891 O-ring	1	Ø 14x2 Viton	Lubricate Molykote PG54
20	1880250 Fitting	1		Loxeal 55-14
21	3240470 Pressure gauge	1	Ø63 - 0÷24bar	Loctite 2701
22	640070 O-ring	4	Ø 13,95x2,62	Lubricate Molykote G-807
23	3120421 Fitting	2	3/8" G (F)	
24	130491 Valve	1	3/8" G - 1/2" G (M-M)	Loxeal 55-14
25	130492 Valve	1	3/8" G - 1/2" G (M-M)	Loxeal 55-14
26	110131 Ring nut	1	1/2" G	
A	42524 Valve kit	1		
B	43080 Diaphragms kit	1	BlueFlex	
C	42525 O-ring kit	1		
D	47423 Maintenance repair kit	1	BlueFlex	

AR_05_090_v01

Customer: AR

Customer Code:



SAE 30
0,600 Kg

Revision: 1

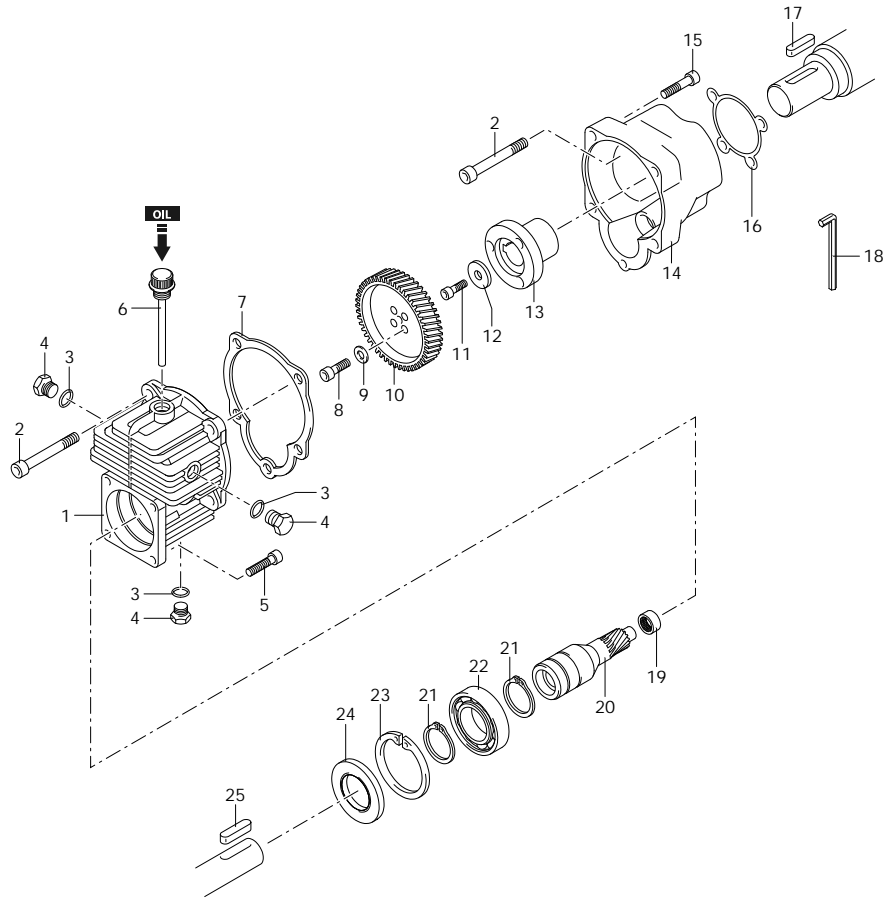
Date: 02/10/2024

Validity: < XX/YY = From week/year



AR 45 BP

33103 AR 45 BP SP G.C.I. - BlueFlex + CR



Code	Description	Q	Note	Validity
1	620960 Box	1		
2	540300 Screw	TCEI M10x30		
3	740290 O-ring	Ø 14x1,78	Lubricate Molykote PG54	
4	1980740 Plug	3/8" G	Loxéal 55-14	
5	651000 Screw	TCEI 5/16" 24 UNF 1"		
6	1140370 Plug			
7	620950 Gasket			
8	620470 Screw	TCEI M10x20		
9	200231 Washer			
10	651620 Gear	Z=64		
11	880280 Screw	TCEI M6x18		
12	780230 Washer			
13	3120350 Shaft			
14	3120340 Flange			
15	180030 Screw	TCEI M8x20		
16	3120360 Gasket		Seal with Arexons Mastic	
17	2280950 Key			
18	1380630 Key			
19	620990 Bearing		Lubricate with Mineral Grease	
20	621660 Pinion	Z=11		
21	320240 Ring	seeger Øe 40		
22	961780 Bearing			
23	961790 Ring	seeger Øi 68		
24	961800 Oil seal			
25	881090 Key			

AR_07_006_v01

Customer: AR
Customer Code:



W 90
0,420 Kg

Revision: 1

Date: 02/10/2024

Validity: < XX/YY = From week/year